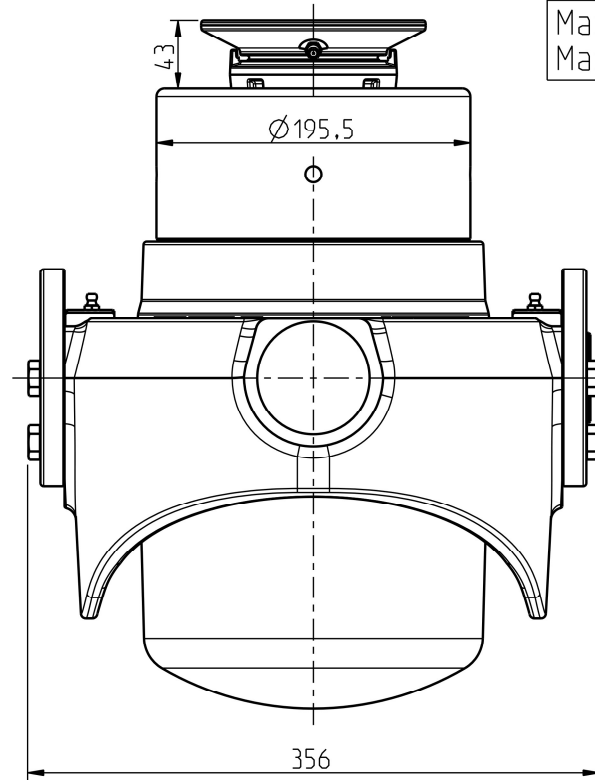
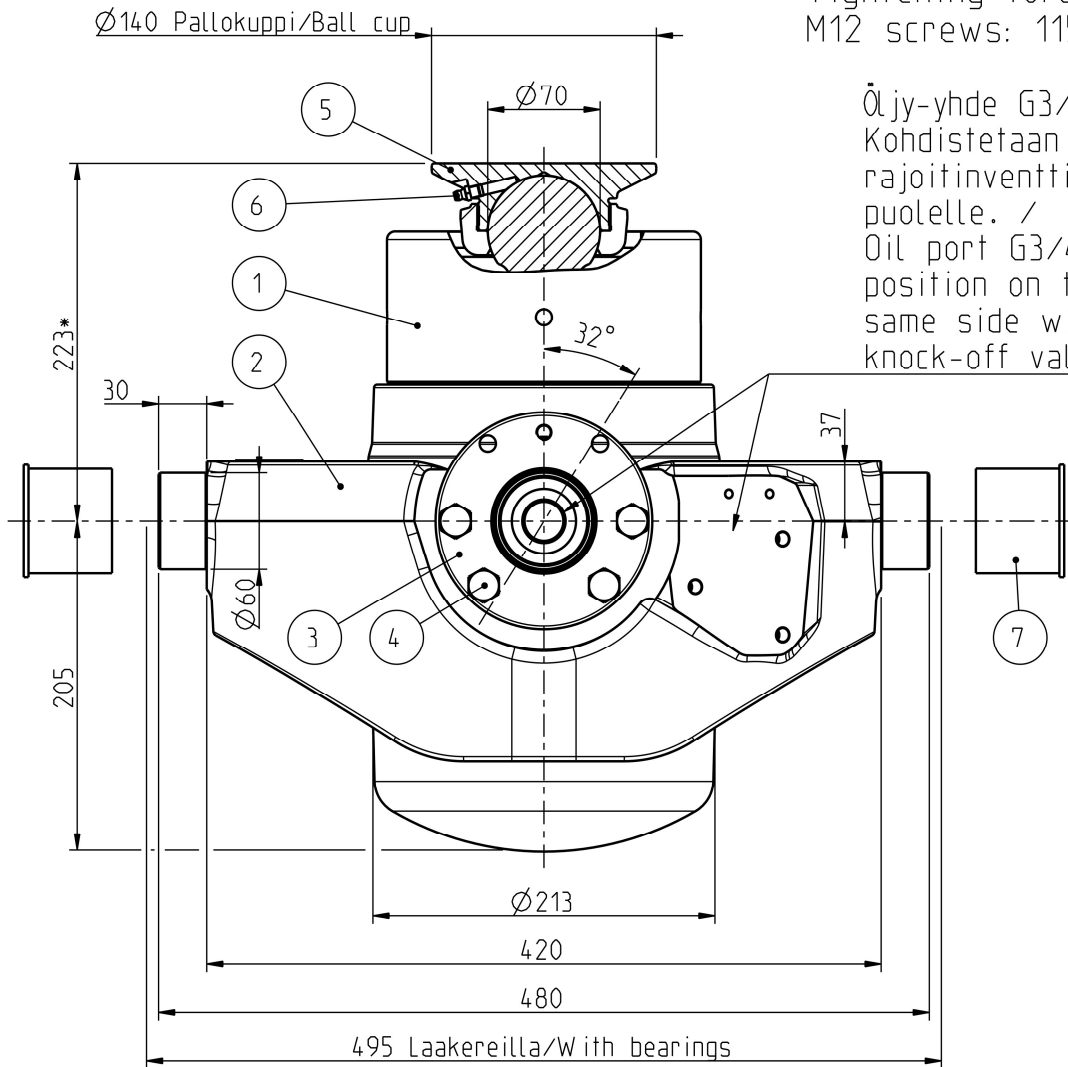


M12 -ruuvien kiristymomentti: /
Tightening torque of the
M12 screws: 115 Nm.

Öljy-yhde G3/4.
Kohdistetaan
rajoitinventtilin
puolelle. /
Oil port G3/4.
position on the
same side with
knock-off valve.



Iskutilavuus Stroke volume	20,1 dm ³
Max paine Max pressure	28 MPa 280 bar
Max kuorma Max load	250 kN 25 ton
Max syl. kulma Max cyl. angle	32°

Ø Vaihe Ø Stage	Isku/ Stroke mm
172	245
152	248
132	250
115	236
100	188
85	204
70	198
55	184
40	131
Yht/Total	1884

* +Asennusvara / Mounting space min 15 mm.

POS.	QTY	PRODUCT CODE	NAME	NOTE
7	2	CWT045129122	PROTECTION CAP 60	-
6	1	350501510	GREASE NIPPLE M8x1.25	-
5	1	320206586	BALL CUP 70	-
4	8	350510431	HEX SCREW M12x40 -10.9 DELTA	SCREW KIT: 350511339
3	2	320210049	BEARING CRADLE SUT LL	-
2	1	320210050	CYLINDER CRADLE SUT 194-172 LL	-
1	1	310209418	TELC 172-9-1884 TT, SUT 22 PV HP	-

Date	Drawn	Revision		
		Piirt Drawn Date Koko Size	VVa 04.07.24 A3	
		GENERAL TOLERANCE: ISO 2768-m	Aihio/ Preform -	
		THREAD TOLERANCE: ISO 965-3/ISO 228-1	Paino (kg) Weight 114.286	
		WELD ACCORDING TO: ISO 5817	Mat STD -	
		Liittyy / Belongs to		Material
		SUT 22 LL		-
		Nimitys		Suhde/Scale
		NY SUT 22 LL 172-9-1884 LN		Revision
		Name		3:10
		LU SUT 22 LL 172-9-1884 LN		-
				Piirustus no / Drawing no
				310210661