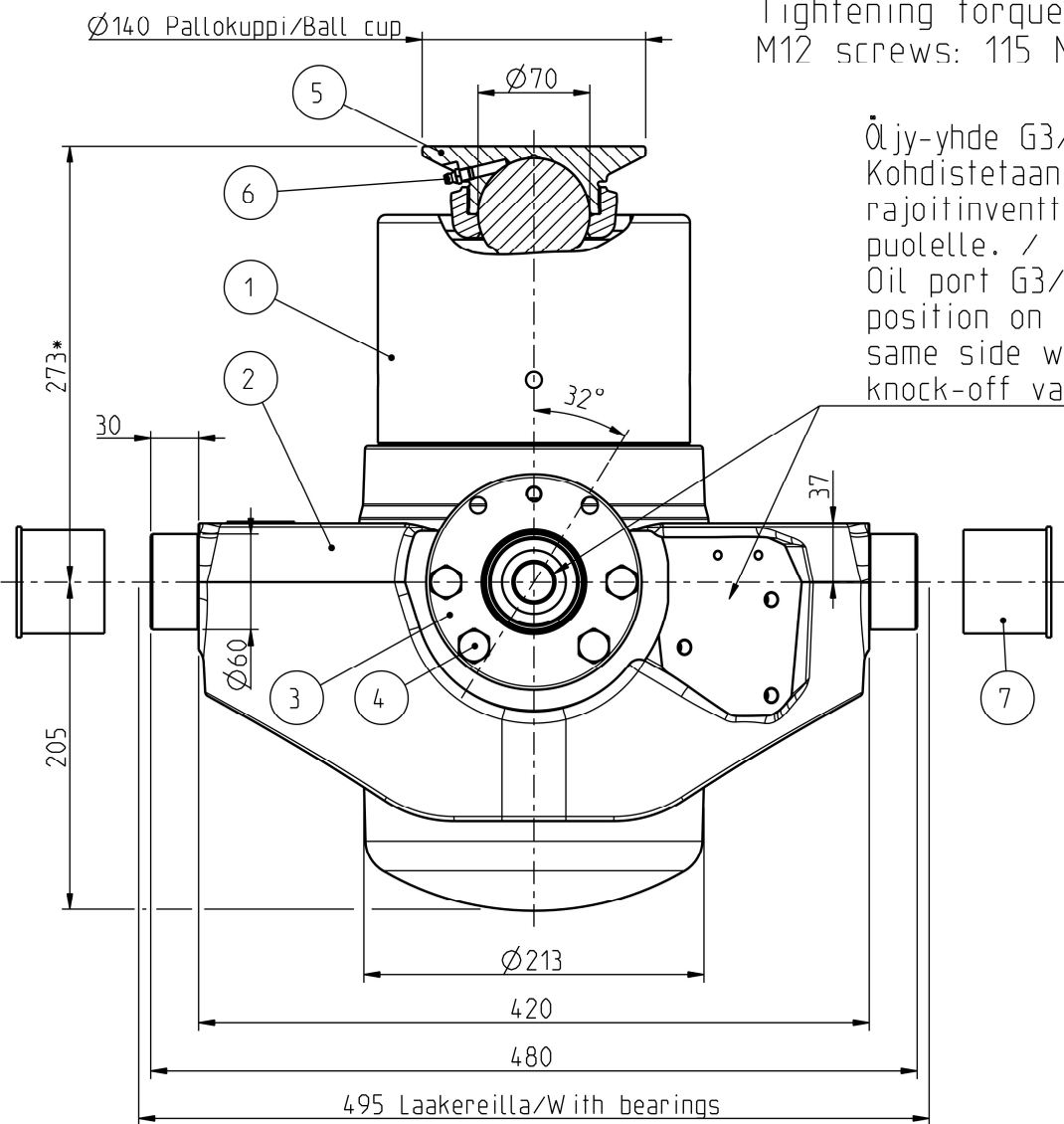


M12 -ruuvien kiristymomentti: /
Tightening torque of the
M12 screws: 115 Nm.

Iskutilavuus Stroke volume	23,6 dm ³
Max paine Max pressure	28 MPa 280 bar
Max kuorma Max load	250 kN 25 ton
Max syl. kulma Max cyl. angle	32°



Öljy-yhde G3/4.
Kohdistetaan
rajoitinventtilin
puolelle. /
Oil port G3/4.
position on the
same side with
knock-off valve.

Ø Vaihe Ø Stage	Isku/ Stroke mm
172	295
152	298
132	300
115	286
100	238
85	254
70	250
Yht/Total	1921

* +Asennusvara / Mounting space min 15 mm.

POS.	QTY	PRODUCT CODE	NAME	NOTE
7	2	CWT045129122	PROTECTION CAP 60	-
6	1	350501510	GREASE NIPPLE M8x1.25	-
5	1	320206586	BALL CUP 70	-
4	8	350510431	HEX SCREW M12x40 -10.9 DELTA	SCREW KIT: 350511339
3	2	320210049	BEARING CRADLE SUT LL	-
2	1	320210050	CYLINDER CRADLE SUT 194-172 LL	-
1	1	310209395	TELC 172-7-1921 TT,SUT 27 HP	-

Date	Drawn	Revision		
		Piirt Drawn	VVa	GENERAL TOLERANCE : ISO 2768-m
		Pvm Date	09.05.24	THREAD TOLERANCE : ISO 965-3/ISO 228-1
		Koko Size	A3	WELD ACCORDING TO: ISO 5817
			Liittyy / Belongs to	Material
			SUT 27 LL	-
			Nimitys	Suhde/Scale
			NY SUT 27 LL 172-7-1921 LN	3:10
			Name	Revision
			LU SUT 27 LL 172-7-1921 LN	-
				Piirustus no / Drawing no
				310210659

