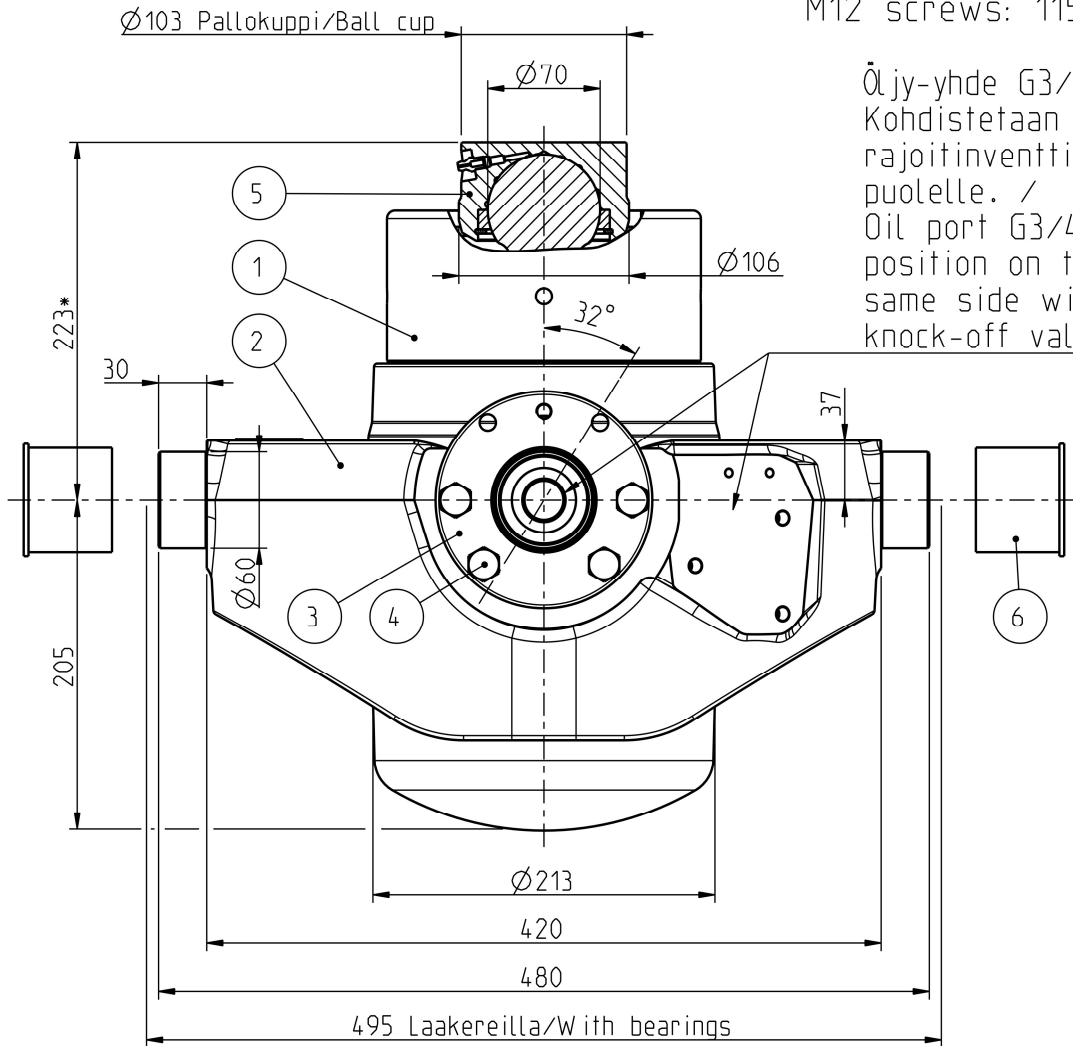
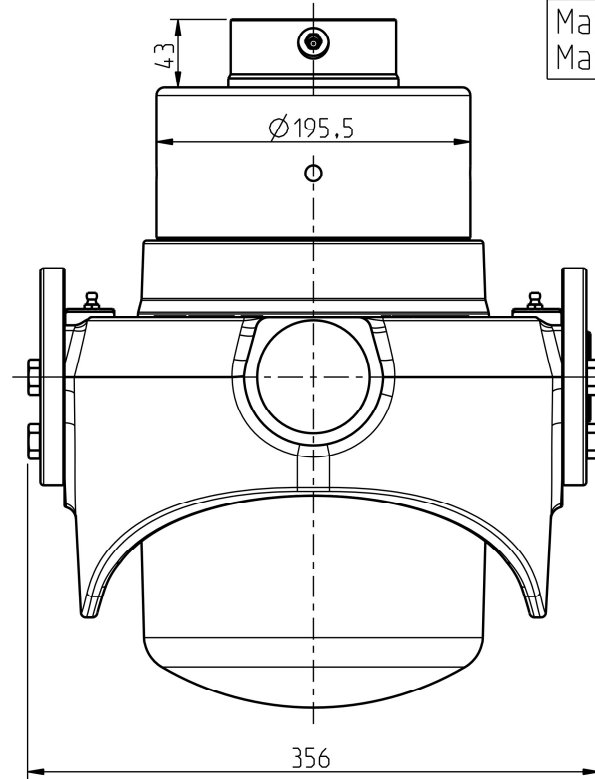


M12 -ruuvien kiristymomentti: /  
Tightening torque of the  
M12 screws: 115 Nm.



Öljy-yhde G3/4.  
Kohdistetaan  
rajoitinventtilin  
puolelle. /  
Oil port G3/4.  
position on the  
same side with  
knock-off valve.



Iskutilavuus Stroke volume	19,9 dm <sup>3</sup>
Max paine Max pressure	28 MPa 280 bar
Max kuorma Max load	250 kN 25 ton
Max syl. kulma Max cyl. angle	32°

Ø Vaihe Ø Stage	Isku/ Stroke mm
172	245
152	248
132	250
115	236
100	188
85	204
70	198
55	200
Yht/Total	1769

\* +Asennusvara / Mounting space min 15 mm.

POS.	QTY	PRODUCT CODE	NAME	NOTE
6	2	CWT045129122	PROTECTION CAP 60	-
5	1	320209515	BALL CUP 70 SUT, SDC M8x1 106	-
4	8	350510431	HEX SCREW M12x40 -10.9 DELTA	SCREW KIT: 350511339
3	2	320210049	BEARING CRADLE SUT LL	-
2	1	320210050	CYLINDER CRADLE SUT 194-172 LL	-
1	1	310209416	TELC 172-8-1769 SUT 22 HP	-

Date	Drawn	Revision		
		Piirt Drawn	VVa	GENERAL TOLERANCE: ISO 2768-m
		Pvm Date	19.04.24	THREAD TOLERANCE: ISO 965-3/ISO 228-1
		Koko Size	A3	WELD ACCORDING TO: ISO 5817
		Liittyy / Belongs to		Material
		SUT 22 LL		-
		Nimitys	NY SUT 22 LL 172-8-1769	Suhde/Scale
				Revision
		Name	LU SUT 22 LL 172-8-1769	3:10
				Piirustus no / Drawing no
				310210654

