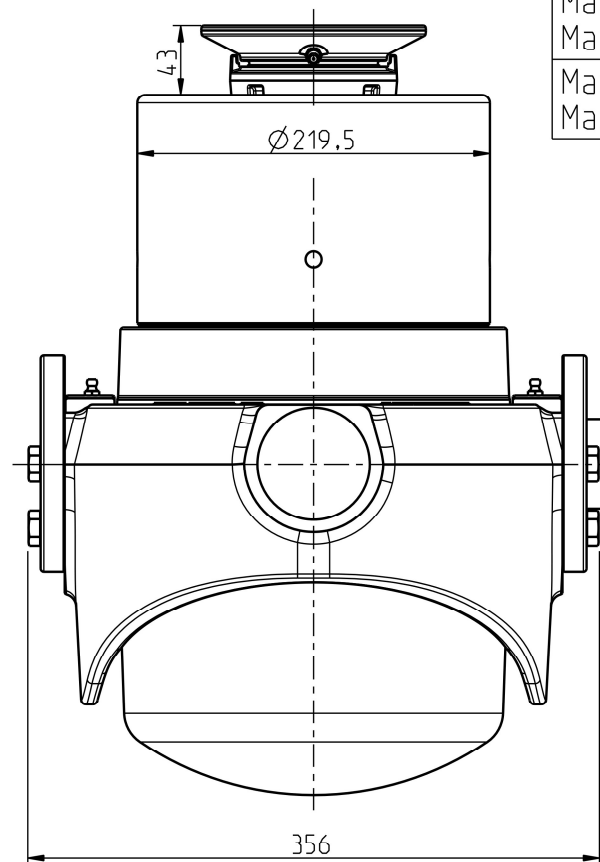
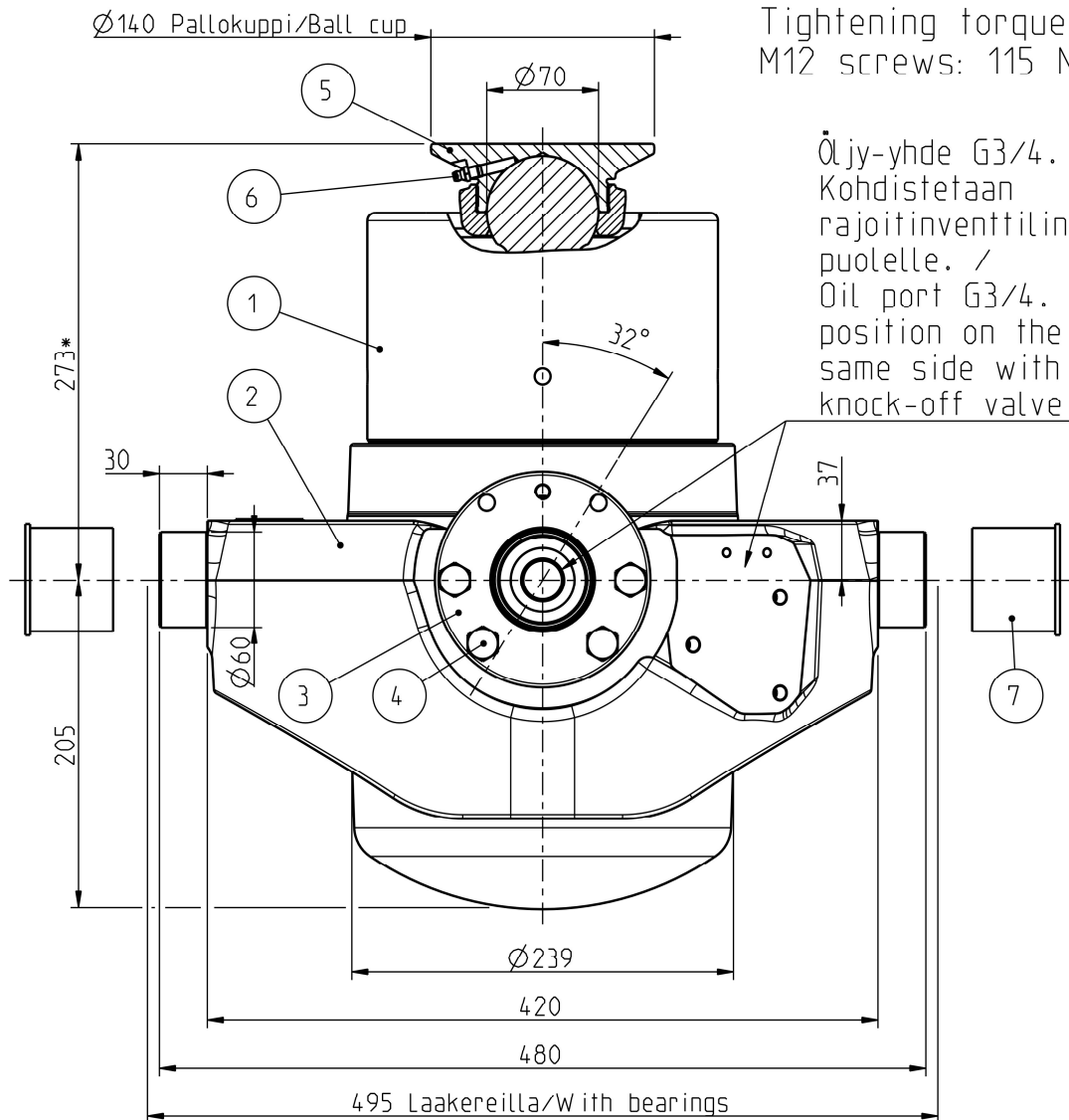


M12 -ruuvien kiristymomentti: /
Tightening torque of the
M12 screws: 115 Nm.

Öljy-yhde G3/4.
Kohdistetaan
rajoitinventtilin
puolelle. /
Oil port G3/4.
position on the
same side with
knock-off valve.



Iskutilavuus Stroke volume	32,8 dm ³
Max paine Max pressure	28 MPa 280 bar
Max kuorma Max load	300 kN 30 ton
Max syl. kulma Max cyl. angle	32°

Ø Vaihe Ø Stage	Isku/ Stroke mm
194	286
172	295
152	298
132	300
115	286
100	238
85	254
70	248
55	234
40	181
Yht/Total	2620

* +Asennusvara / Mounting space min 15 mm.

POS.	QTY	PRODUCT CODE	NAME	NOTE
7	2	CWT045129122	PROTECTION CAP 60	-
6	1	350501510	GREASE NIPPLE M8x1.25	-
5	1	320206586	BALL CUP 70	-
4	8	350510431	HEX SCREW M12x40 -10.9 DELTA	SCREW KIT: 350511339
3	2	320210049	BEARING CRADLE SUT LL	-
2	1	320210050	CYLINDER CRADLE SUT 194-172 LL	-
1	1	310209448	TELC 194-10-2620 TT,SUT 27 PV HP	-

Date	Drawn	Revision		
		Piirt Drawn	VVa	GENERAL TOLERANCE : ISO 2768-m
		Pvm Date	15.05.24	THREAD TOLERANCE : ISO 965-3/ISO 228-1
		Koko Size	A3	WELD ACCORDING TO: ISO 5817
		Liittyy / Belongs to		Material
		TT, SUT 27 HP		-
		Nimitys	NY SUT 27 LL 194-10-2620 PV LN	Suhde/Scale
				Revision
		Name	LU SUT 27 LL 194-10-2620 PV LN	3:10
				-
				Piirustus no / Drawing no
				310210645

