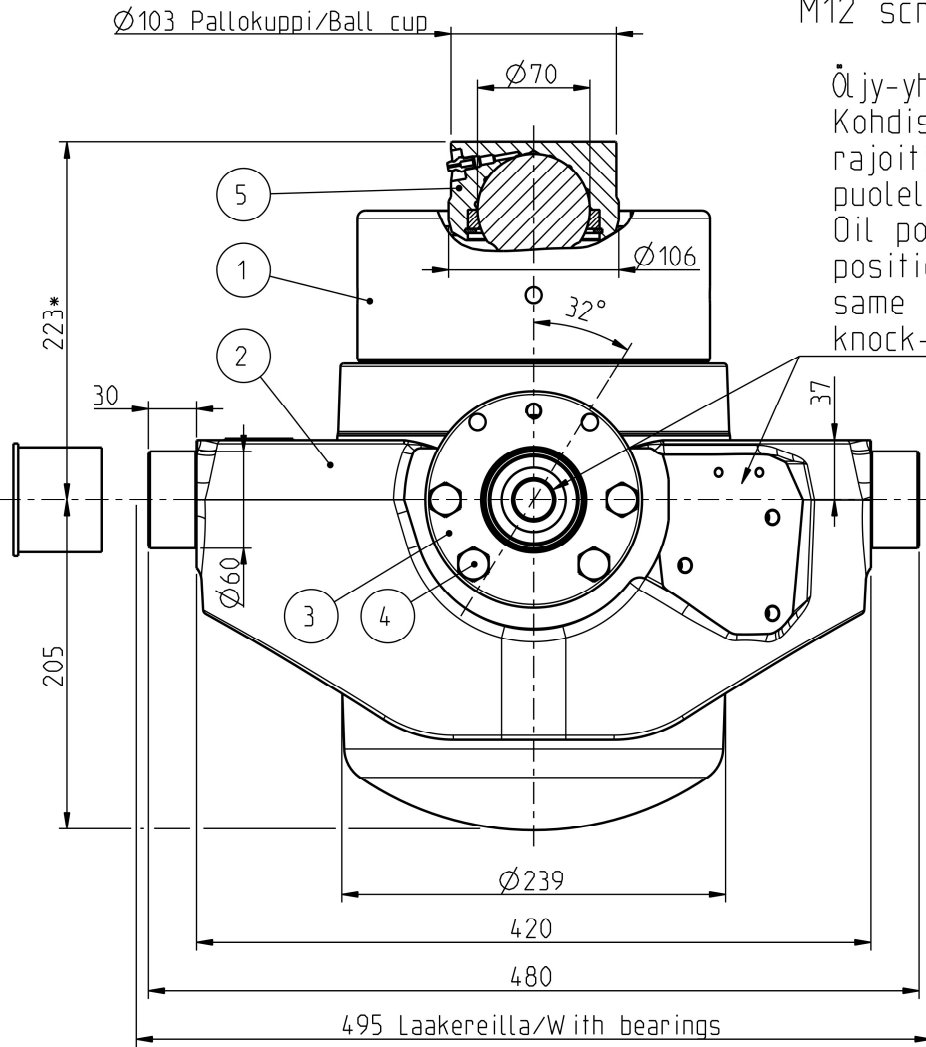
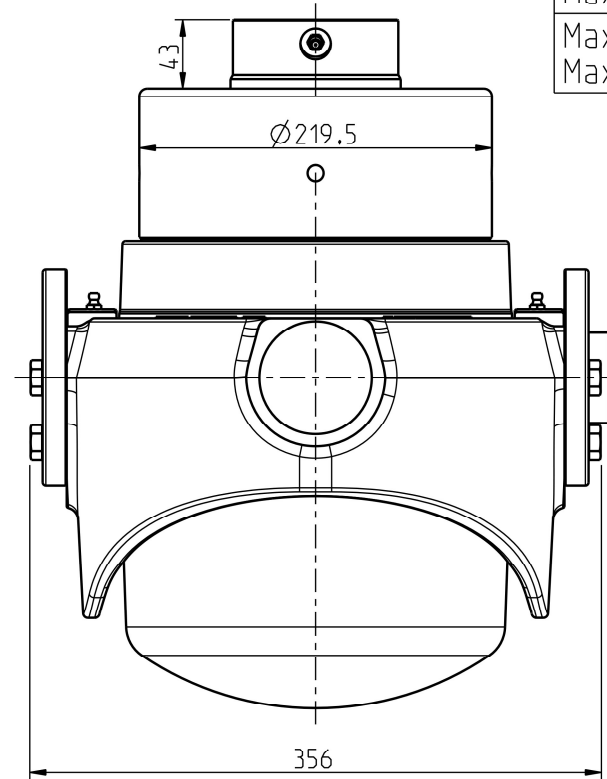


M12 -ruuvien kiristymomentti: /
Tightening torque of the
M12 screws: 115 Nm.



Öljy-yhde G3/4.
Kohdistetaan
rajoitinventtilin
puolelle. /
Oil port G3/4.
position on the
same side with
knock-off valve.



Iskutilavuus Stroke volume	27,0 dm ³
Max paine Max pressure	28 MPa 280 bar
Max kuorma Max load	300 kN 30 ton
Max syl. kulma Max cyl. angle	32°

\varnothing Vaihe \varnothing Stage	Isku/ Stroke mm
194	236
172	245
152	248
132	250
115	236
100	188
85	204
70	198
55	184
40	131
Yht/Total	2120

* +Asennusvara / Mounting space min 15 mm.

POS.	QTY	PRODUCT CODE	NAME	NOTE
6	2	CWT045129122	PROTECTION CAP 60	-
5	1	320209515	BALL CUP 70 SUT, SDC M8x1 106	-
4	8	350510431	HEX SCREW M12x40 -10.9 DELTA	SCREW KIT: 350511339
3	2	320210049	BEARING CRADLE SUT LL	-
2	1	320210050	CYLINDER CRADLE SUT 194-172 LL	-
1	1	310209423	TELC 194-10-2120 SUT 22 PV HP	-

Date	Drawn	Revision		
		Piirt Drawn	VVa	GENERAL TOLERANCE: ISO 2768-m
		Pvm Date	15.05.24	THREAD TOLERANCE: ISO 965-3/ISO 228-1
		Koko Size	A3	WELD ACCORDING TO: ISO 5817
			Liittyy / Belongs to	
			SUT 22 HP	
			Material	
			-	
			Suhde/Scale	
			3:10	
			Revision	
			-	
			Piirustus no / Drawing no	
			310210644	

