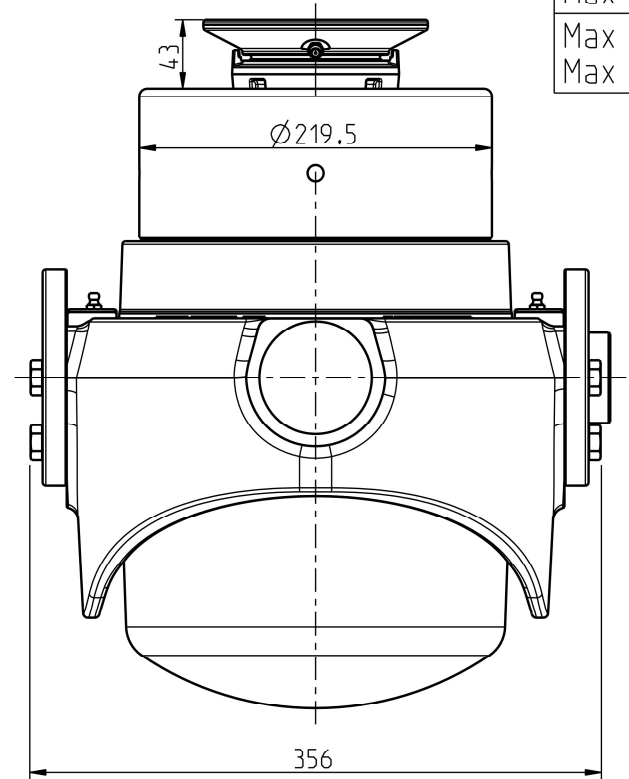
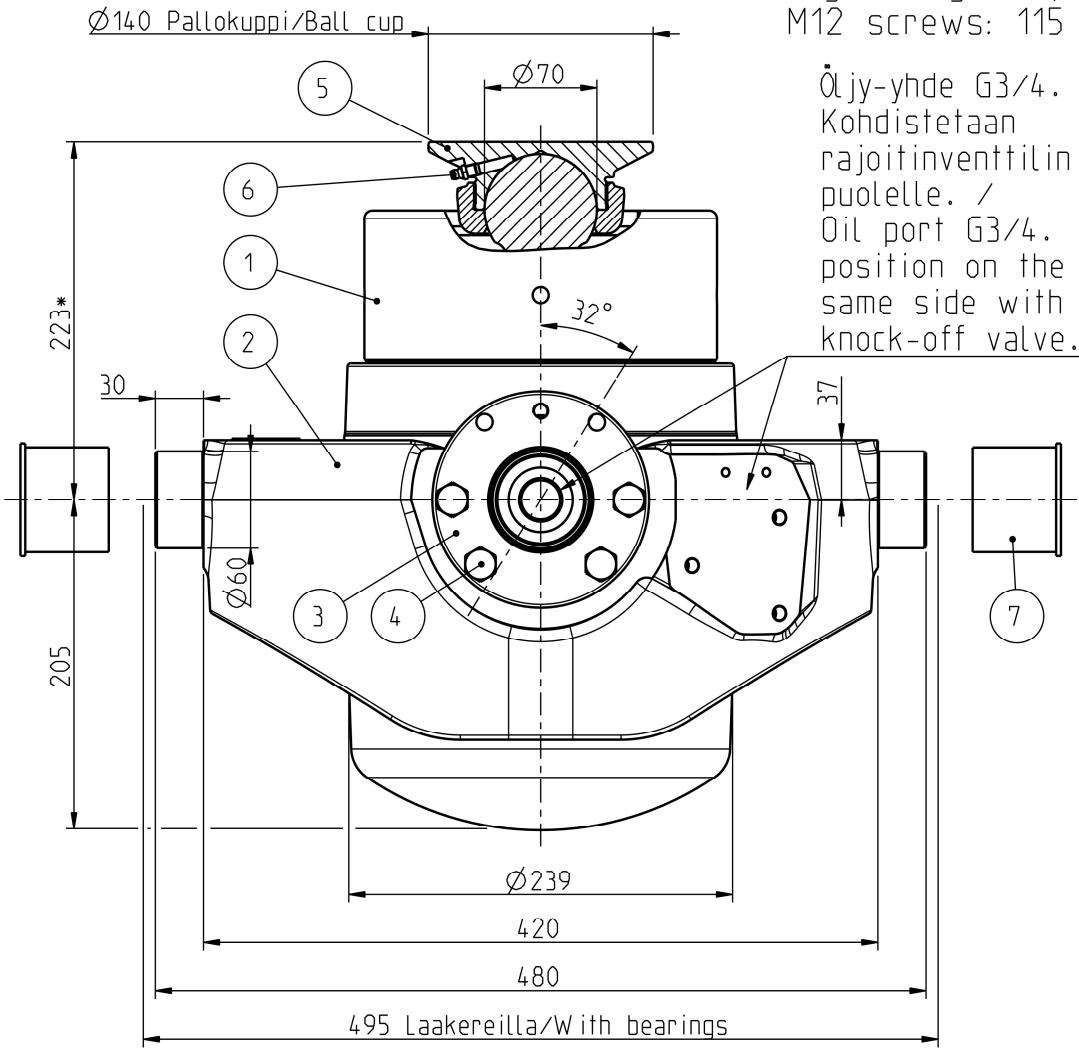


M12 -ruuvien kiristymomentti: /
Tightening torque of the
M12 screws: 115 Nm.

Öljy-yhde G3/4.
Kohdistetaan
rajoitinventtilin
puolelle. /
Oil port G3/4.
position on the
same side with
knock-off valve.



| | |
|----------------------------------|----------------------|
| Iskutilavuus Stroke volume | 27,0 dm ³ |
| Max paine Max pressure | 28 MPa 280 bar |
| Max kuorma Max load | 300 kN 30 ton |
| Max syl. kulma Max cyl. angle | 32° |

| Ø Vaihe Ø Stage | Isku/ Stroke mm |
|--------------------|--------------------|
| 194 | 236 |
| 172 | 245 |
| 152 | 248 |
| 132 | 250 |
| 115 | 236 |
| 100 | 188 |
| 85 | 204 |
| 70 | 198 |
| 55 | 184 |
| 40 | 131 |
| Yht/Total | 2120 |

* +Asennusvara / Mounting space min 15 mm.

| POS. | QTY | PRODUCT CODE | NAME | NOTE |
|------|-----|--------------|----------------------------------|----------------------|
| 7 | 2 | CWT045129122 | PROTECTION CAP 60 | - |
| 6 | 1 | 350501510 | GREASE NIPPLE M8x1.25 | - |
| 5 | 1 | 320206586 | BALL CUP 70 | - |
| 4 | 8 | 350510431 | HEX SCREW M12x40 -10.9 DELTA | SCREW KIT: 350511339 |
| 3 | 2 | 320210049 | BEARING CRADLE SUT LL | - |
| 2 | 1 | 320210050 | CYLINDER CRADLE SUT 194-172 LL | - |
| 1 | 1 | 310209424 | TELC 194-10-2120 TT,SUT 22 PV HP | - |

| Date | Drawn | Revision | | |
|------|-------|----------------|---------------------------|--|
| | | Piirt Drawn | VVa | GENERAL TOLERANCE : ISO 2768-m |
| | | Pvm Date | 15.05.24 | THREAD TOLERANCE : ISO 965-3/ISO 228-1 |
| | | Koko Size | A3 | WELD ACCORDING TO: ISO 5817 |
| | | | Liittyy / Belongs to | |
| | | | SUT 22 HP | |
| | | | Material | |
| | | | - | |
| | | | Suhte/Scale | |
| | | | 3:10 | |
| | | | Revision | |
| | | | - | |
| | | | Piirustus no / Drawing no | |
| | | | 310210643 | |

