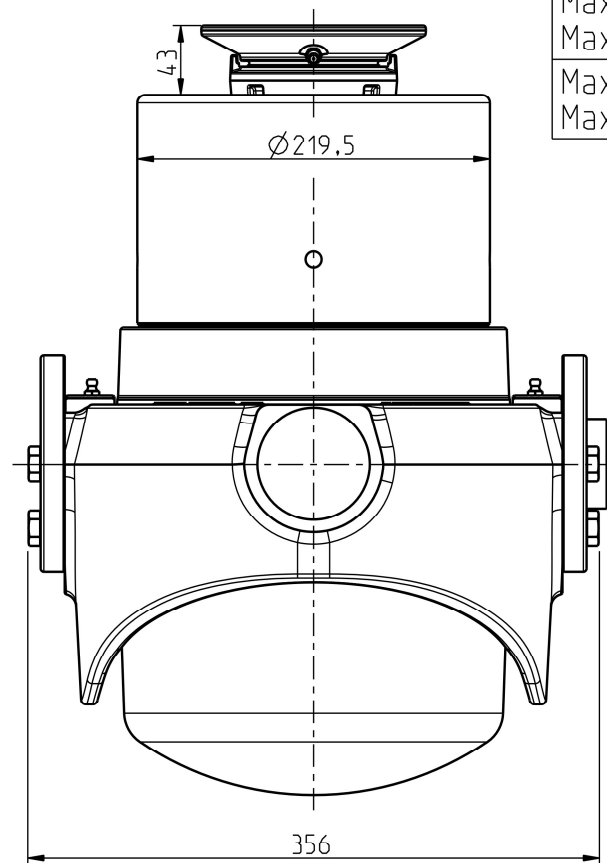
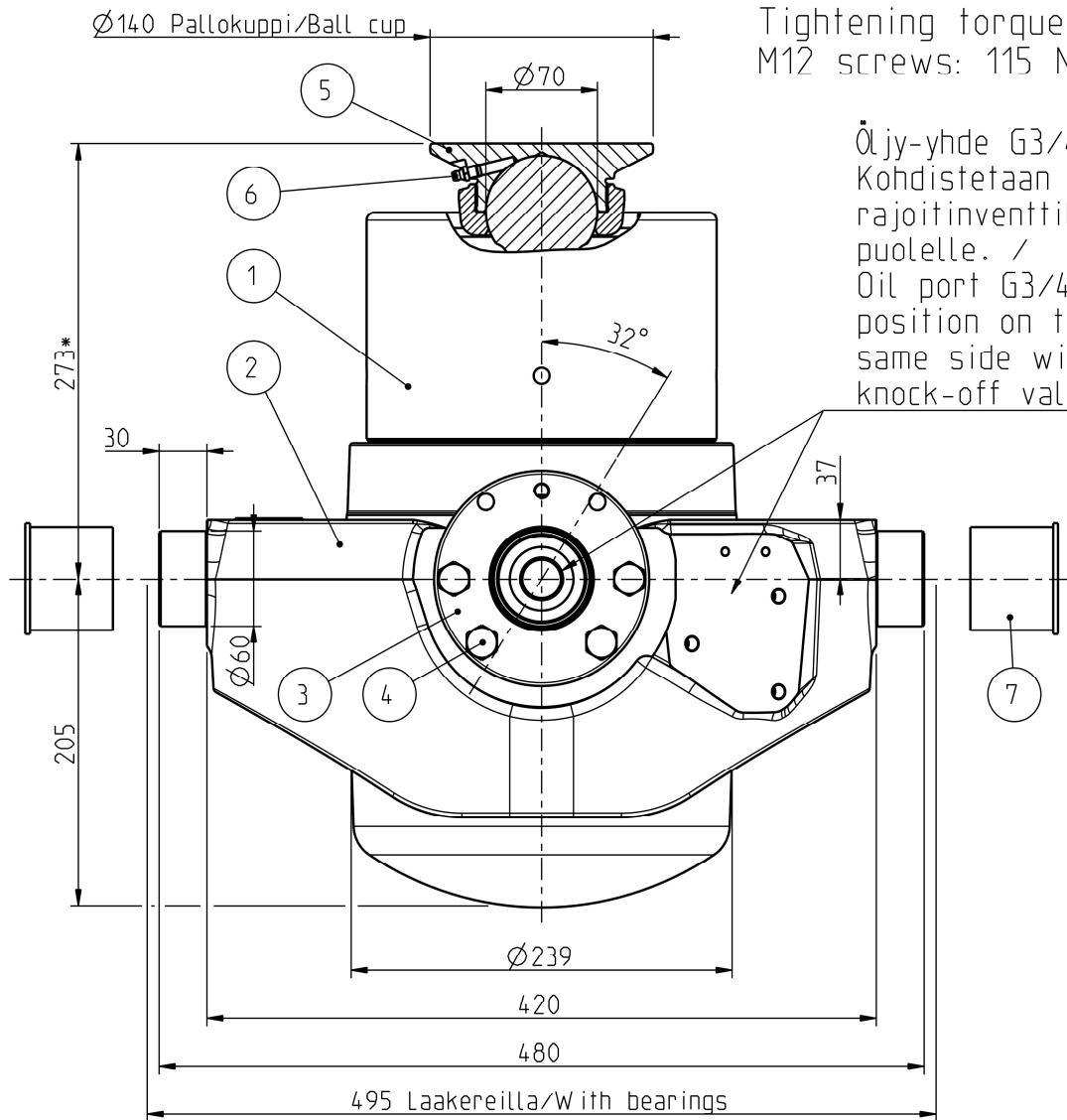


M12 -ruuvien kiristymomentti: /  
Tightening torque of the  
M12 screws: 115 Nm.

Öljy-yhde G3/4.  
Kohdistetaan rajoitinventiilin puolelle. /  
Oil port G3/4.  
position on the same side with knock-off valve.



Iskutilavuus Stroke volume	32,5 dm <sup>3</sup>
Max paine Max pressure	28 MPa 280 bar
Max kuorma Max load	300 kN 30 ton
Max syl. kulma Max cyl. angle	32°

Ø Vaihe Ø Stage	Isku/ Stroke mm
194	286
172	295
152	298
132	300
115	286
100	238
85	254
70	248
55	200
Yht/Total	2405

\* +Asennusvara / Mounting space min 15 mm.

POS.	QTY	PRODUCT CODE	NAME	NOTE
7	2	CWT045129122	PROTECTION CAP 60	-
6	1	350501510	GREASE NIPPLE M8x1.25	-
5	1	320206586	BALL CUP 70	-
4	8	350510431	HEX SCREW M12x40 -10.9 DELTA	SCREW KIT: 350511339
3	2	320210049	BEARING CRADLE SUT LL	-
2	1	320210050	CYLINDER CRADLE SUT 194-172 LL	-
1	1	310209393	TELC 194-9-2405 TT,SUT 27 PV HP	-

Date	Drawn	Revision		
		Piirt Drawn	VVa	GENERAL TOLERANCE : ISO 2768-m
		Pvm Date	17.04.24	THREAD TOLERANCE : ISO 965-3/ISO 228-1
		Koko Size	A3	WELD ACCORDING TO: ISO 5817
			Liittyy / Belongs to	
			SUT 27 LL	
			Material	
			-	
			Suhde/Scale	
			3:10	
			Revision	
			-	
			Piirustus no / Drawing no	
			310210637	

