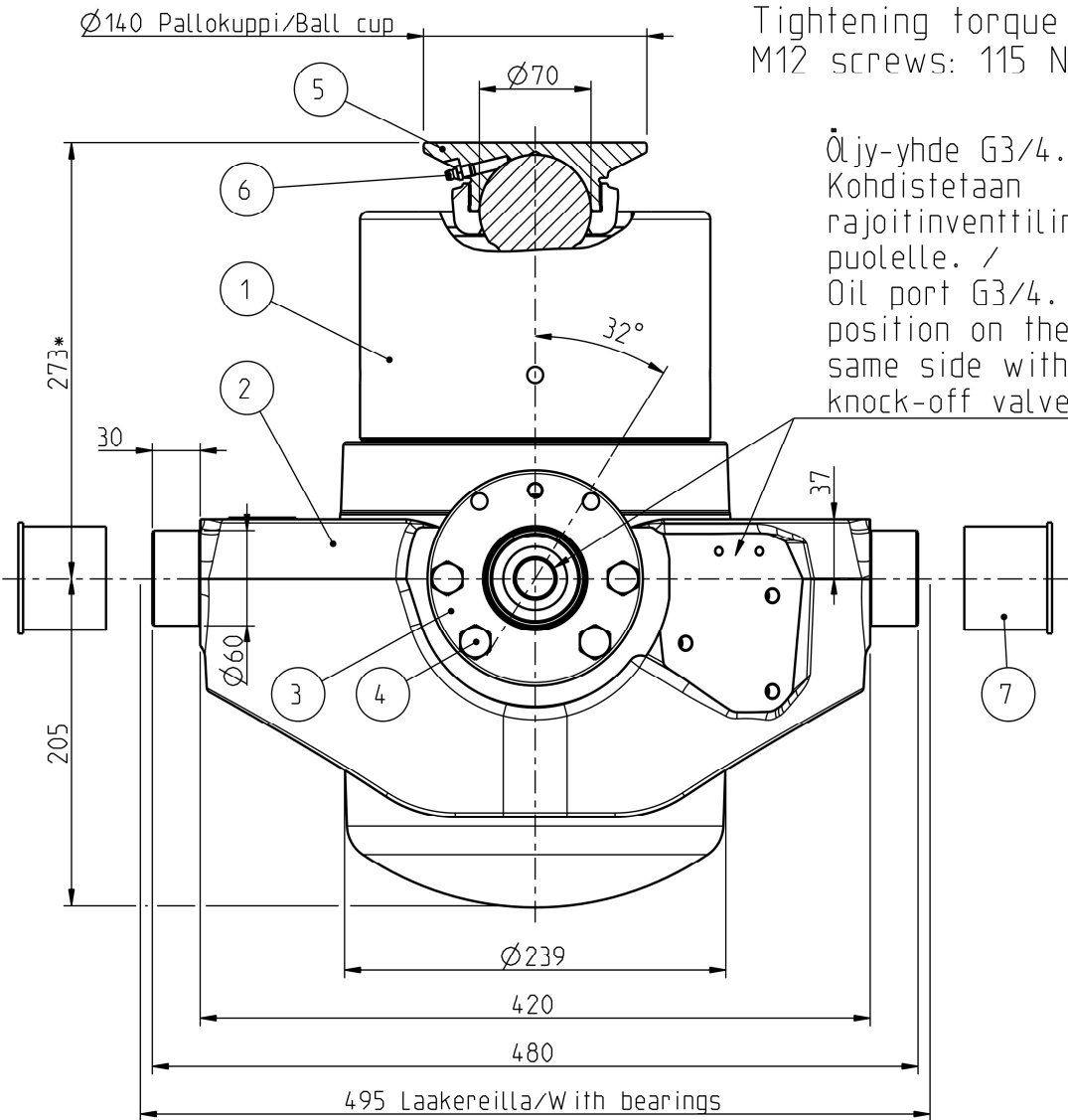


M12 -ruuvien kiristymomentti: /
Tightening torque of the
M12 screws: 115 Nm.



Öljy-yhde G3/4.
Kohdistetaan
rajoitinventtilin
puolelle. /
Oil port G3/4.
position on the
same side with
knock-off valve.

| | |
|----------------------------------|----------------------|
| Iskutilavuus Stroke volume | 32,1 dm ³ |
| Max paine Max pressure | 28 MPa 280 bar |
| Max kuorma Max load | 300 kN 30 ton |
| Max syl. kulma Max cyl. angle | 32° |

| Ø Vaihe Ø Stage | Isku/ Stroke mm |
|--------------------|--------------------|
| 194 | 286 |
| 172 | 295 |
| 152 | 298 |
| 132 | 300 |
| 115 | 286 |
| 100 | 238 |
| 85 | 254 |
| 70 | 250 |
| Yht/Total | 2207 |

* +Asennusvara / Mounting space min 15 mm.

| POS. | QTY | PRODUCT CODE | NAME | NOTE |
|------|-----|--------------|--------------------------------|----------------------|
| 7 | 2 | CWT045129122 | PROTECTION CAP 60 | - |
| 6 | 1 | 350501510 | GREASE NIPPLE M8x1.25 | - |
| 5 | 1 | 320206586 | BALL CUP 70 | - |
| 4 | 8 | 350510431 | HEX SCREW M12x40 -10.9 DELTA | SCREW KIT: 350511339 |
| 3 | 2 | 320210049 | BEARING CRADLE SUT LL | - |
| 2 | 1 | 320210050 | CYLINDER CRADLE SUT 194-172 LL | - |
| 1 | 1 | 310209357 | TELC 194-8-2207 TT, SUT 27 HP | - |

| Date | Drawn | Revision | | |
|----------------------------|-------|----------------|---------------------------|--|
| | | Piirt Drawn | VVa | GENERAL TOLERANCE : ISO 2768-m |
| | | Pvm Date | 20.05.24 | THREAD TOLERANCE : ISO 965-3/ISO 228-1 |
| | | Koko Size | A3 | WELD ACCORDING TO: ISO 5817 |
| Liittyy / Belongs to | | | Material | |
| SUT 27 LL | | | - | |
| Nimitys | | | Suhde/Scale | Revision |
| NY SUT 27 LL 194-8-2207 LN | | | 3:10 | - |
| Name | | | Piirustus no / Drawing no | |
| LU SUT 27 LL 194-8-2207 LN | | | 310210631 | |

