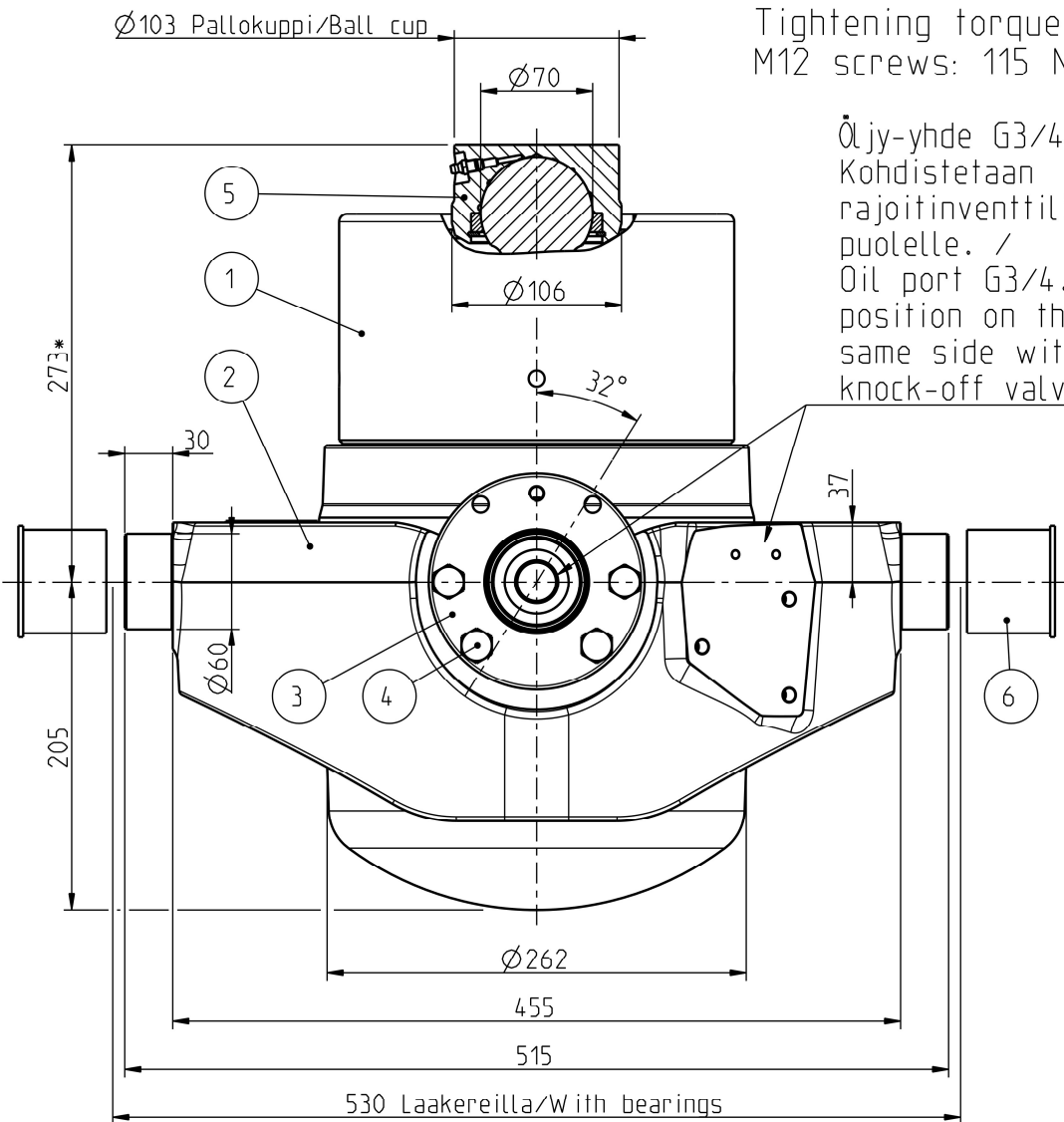


M12 -ruuvien kiristymomentti: /
Tightening torque of the
M12 screws: 115 Nm.



Öljy-yhde G3/4.
Kohdistetaan
rajoitinventtilin
puolelle. /
Oil port G3/4.
position on the
same side with
knock-off valve.

Iskutilavuus Stroke volume	41,6 dm ³
Max paine Max pressure	28 MPa 280 bar
Max kuorma Max load	320 kN 32 ton
Max syl. kulma Max cyl. angle	32°

Ø Vaihe Ø Stage	Isku/ Stroke mm
218	280
194	286
172	295
152	298
132	300
115	286
100	238
85	256
Yht/Total	2239

* +Asennusvara / Mounting space min 15 mm.

POS.	QTY	PRODUCT CODE	NAME	NOTE
6	2	CWT045129122	PROTECTION CAP 60	-
5	1	320209515	BALL CUP 70 SUT, SDC M8x1 106	-
4	8	350510431	HEX SCREW M12x40 -10.9 DELTA	SCREW KIT: 350511339
3	2	320210049	BEARING CRADLE SUT LL	-
2	1	320210047	CYLINDER CRADLE SUT 218 LL	-
1	1	310209408	TELC 218-8-2239 SUT 27 HP	-

Date	Drawn	Revision		
		Piirt Drawn	VVa	GENERAL TOLERANCE: ISO 2768-m
		Pvm Date	24.04.24	THREAD TOLERANCE: ISO 965-3/ISO 228-1
		Koko Size	A3	WELD ACCORDING TO: ISO 5817
Liittyy / Belongs to			Material	
SUT 27 LL			-	
Nimitys			Suhde/Scale	Revision
NY SUT 27 LL 218-8-2239			3:10	-
Name			Piirustus no / Drawing no	
LU SUT 27 LL 218-8-2239			310210614	

