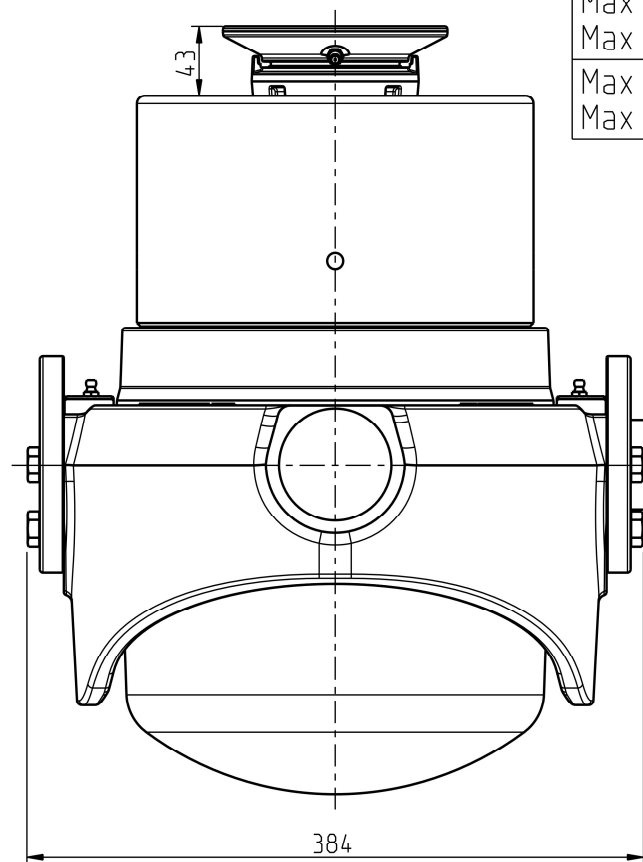
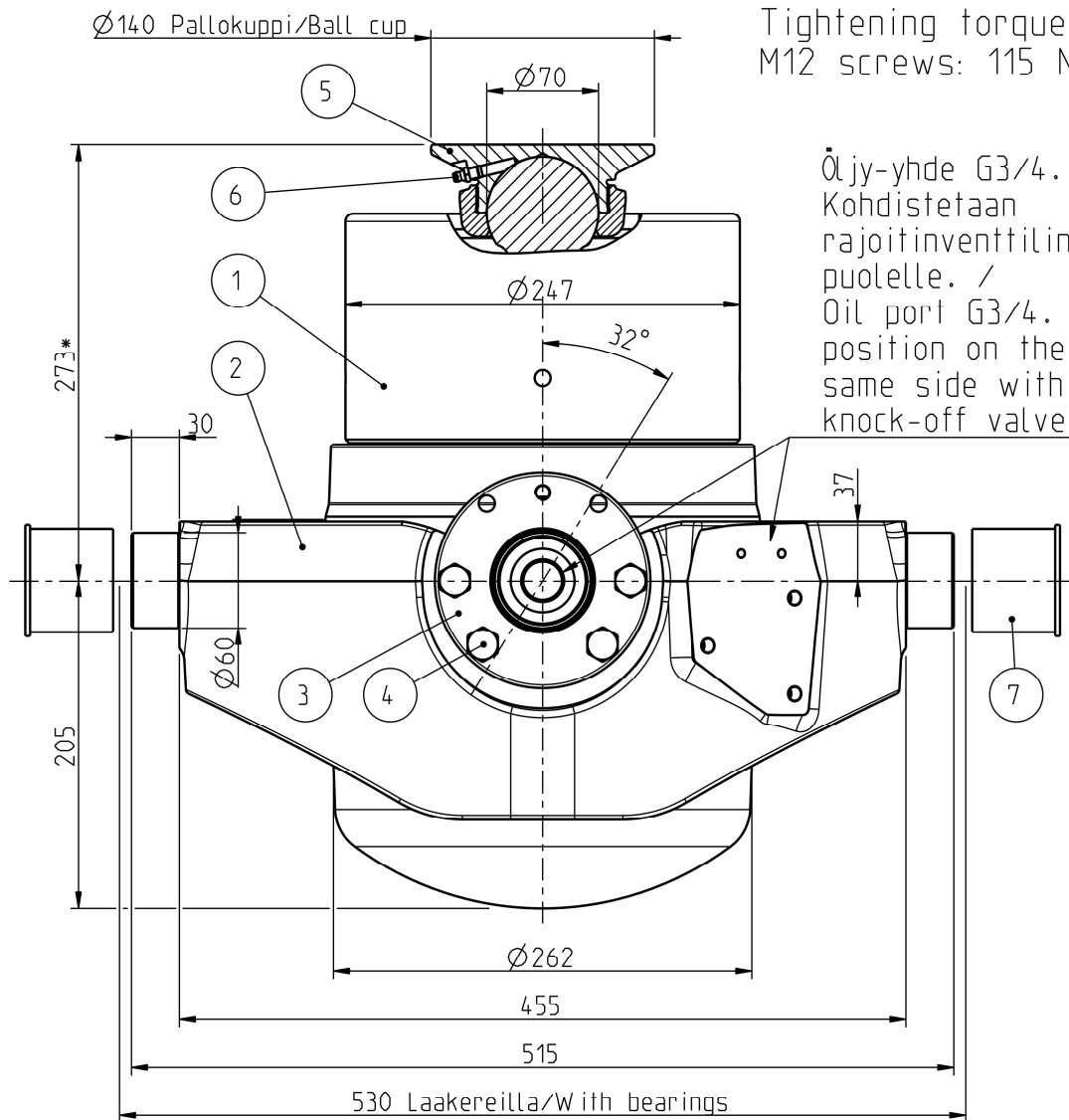


M12 -ruuvien kiristymomentti: /  
Tightening torque of the  
M12 screws: 115 Nm.

Öljy-yhde G3/4.  
Kohdistetaan rajoitinventtilin puolelle. /  
Oil port G3/4.  
position on the same side with knock-off valve.



Iskutilavuus Stroke volume	43,0 dm <sup>3</sup>
Max paine Max pressure	28 MPa 280 bar
Max kuorma Max load	320 kN 32 ton
Max syl. kulma Max cyl. angle	32°

Ø Vaihe Ø Stage	Isku/ Stroke mm
218	280
194	286
172	295
152	298
132	300
115	286
100	238
85	254
70	248
55	200
Yht/Total	2685

\* +Asennusvara / Mounting space min 15 mm.

POS.	QTY	PRODUCT CODE	NAME	NOTE
7	2	CWT045129122	PROTECTION CAP 60	-
6	1	350501510	GREASE NIPPLE M8x1.25	-
5	1	320206586	BALL CUP 70	-
4	8	350510431	HEX SCREW M12x40 -10.9 DELTA	SCREW KIT: 350511339
3	2	320210049	BEARING CRADLE SUT LL	-
2	1	320210047	CYLINDER CRADLE SUT 218 LL	-
1	1	310209411	TELC 218-10-2685 TT, SUT 27 PV HP	-

Date	Drawn	Revision		
		Piirt Drawn	VVa	GENERAL TOLERANCE: ISO 2768-m
		Pvm Date	26.02.24	THREAD TOLERANCE: ISO 965-3/ISO 228-1
		Koko Size	A3	WELD ACCORDING TO: ISO 5817
Liittyy / Belongs to			SUT 27 LL	
Nimitys			NY SUT LL 27 218-10-2685 PV LN	Suhde/Scale
Name			LU SUT LL 27 218-10-2685 PV LN	Revision
				3:10
				-
				Piirustus no / Drawing no
				310210601

