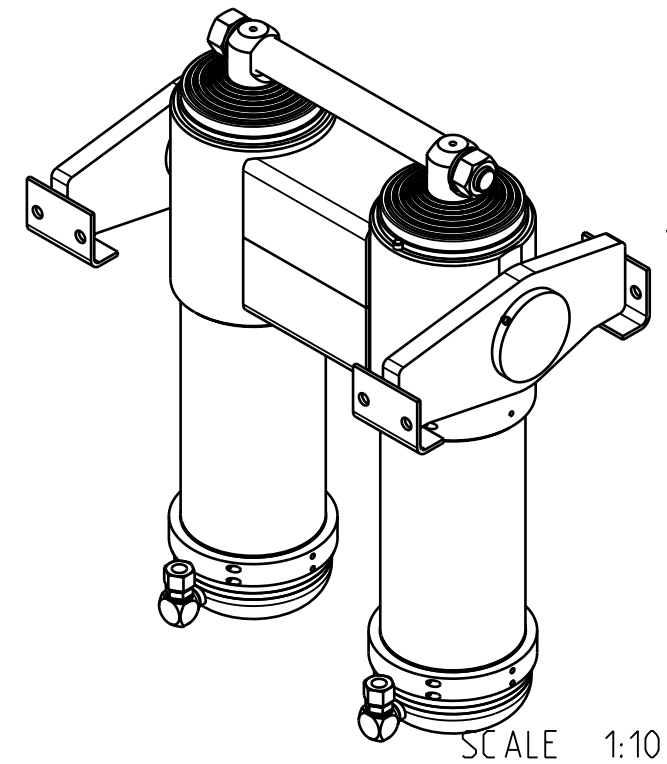


| Dim. | Stroke |
|------|--------|
| Ø172 | 647 |
| Ø152 | 649 |
| Ø132 | 647 |
| Ø115 | 655 |
| Ø100 | 650 |
| Ø85 | 650 |
| Ø70 | 656 |
| Tot. | 4554 |



Iskutilavuus / Stroke volume 107.6 dm³

Max. paine / pressure 250 bar (25 MPa)

Max. kuorma / load 32 t

* Asennusvara / Recommended mounting space min. 15 mm

Tiivistesarja / Seal kit: 340509897

SRYHMÄ / CYL GROUP: 310207462

TELS / TELC: 310207346

| | | | | | | | |
|-----------------------------------|--|-------------------------------------|--|-----------------------------|--|----------------------------|--|
| Pvm / Date | | Piirt. / Drawn | | Oli ennen / Was before | | Malli / Model | |
| 05.05.10 | | TDa | | Koodi / Code | | - | |
| Tark. / Check | | Yleistoleranssi / General tolerance | | Piirt. / Drawn | | - | |
| - | | ISO 2768-m | | 05.05.10 | | 344.789 | |
| Hyv. / Appr. | | Ra / (µm) | | Tark. / Check | | - | |
| - | | - | | - | | - | |
| - | | - | | Mitat, muoto / Dim. / Geom. | | - | |
| Liittyy / Belongs to | | | | | | Suhde / Scale | |
| RT66 | | | | | | 9:50 | |
| Nimitys / NY 192/70x4554 (DA24) | | | | | | Revisio / Revision | |
| Title / LIFTUN 192/70x4554 (DA24) | | | | | | - | |
| | | | | | | Piirustus n:o / Drawing no | |
| | | | | | | 310207323 | |

