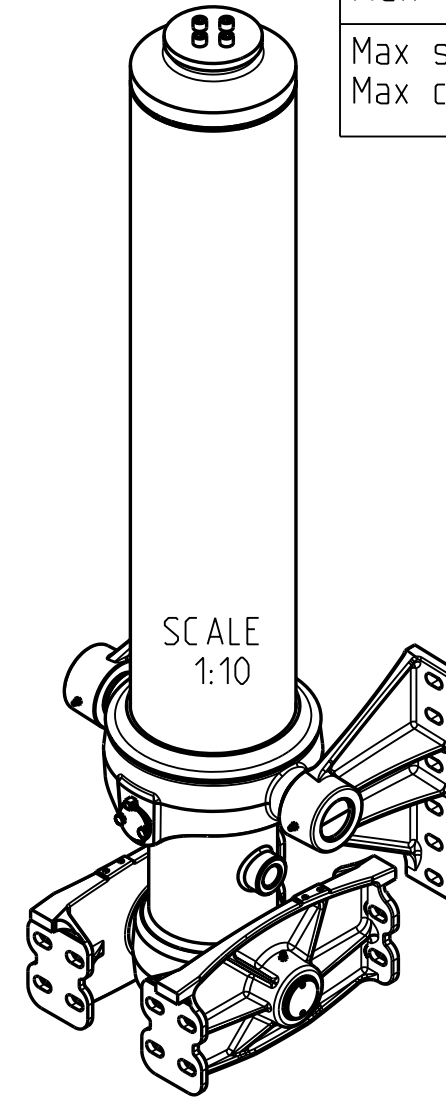


M12 -ruuvit/screws:
-kiristysmomentti/
tightening torque
120 Nm.
Käytä ruuvilukitetta/
Secure with Loctite.



| | |
|-------------------------------------------------|----------------------|
| Iskutilavuus Stroke volume | 53,4 dm ³ |
| Max paine Max pressure | 25 MPa 250 bar |
| Max sylinterikuorma Max cylinder thrust | 200 kN 20 ton |
| Max kippauskuorma Max tipping load | 400 kN 40 ton |
| Max syl kallistuskulma Max cyl tilting angle | 32° |

| Ø vaihe Ø stage | Isku Stroke |
|--------------------|----------------|
| 149 | 1199 |
| 129 | 1201 |
| 110 | 1202 |
| 91 | 833 |
| Total | 4435 |

* Min 20 mm pull out needs to be added!

| Date | Drawn | Revision | | |
|----------------------------|-------|----------------------|----------------------------------------|------------------------------|
| | | Piirt Drawn VVa | GENERAL TOLERANCE : ISO 2768-m | Aihio Preform - |
| | | Pvm Date 23.09.22 | THREAD TOLERANCE : ISO 965-3/ISO 228-1 | Paino (kg) Weight 272.538 |
| | | Koko Size A3 | WELD ACCORDING TO: ISO 5817 | Mat STD - |
| Liittyy / Belongs to | | | Material | |
| DFC-EFC | | | - | |
| Nimitys | | | Suhde/Scale | Revision |
| NY DFC 149-4-4435 R 120 D5 | | | 17:100 | - |
| Name | | | Piirustus no / Drawing no | |
| LU DFC 149-4-4435 R 120 D5 | | | 310105902 | |

