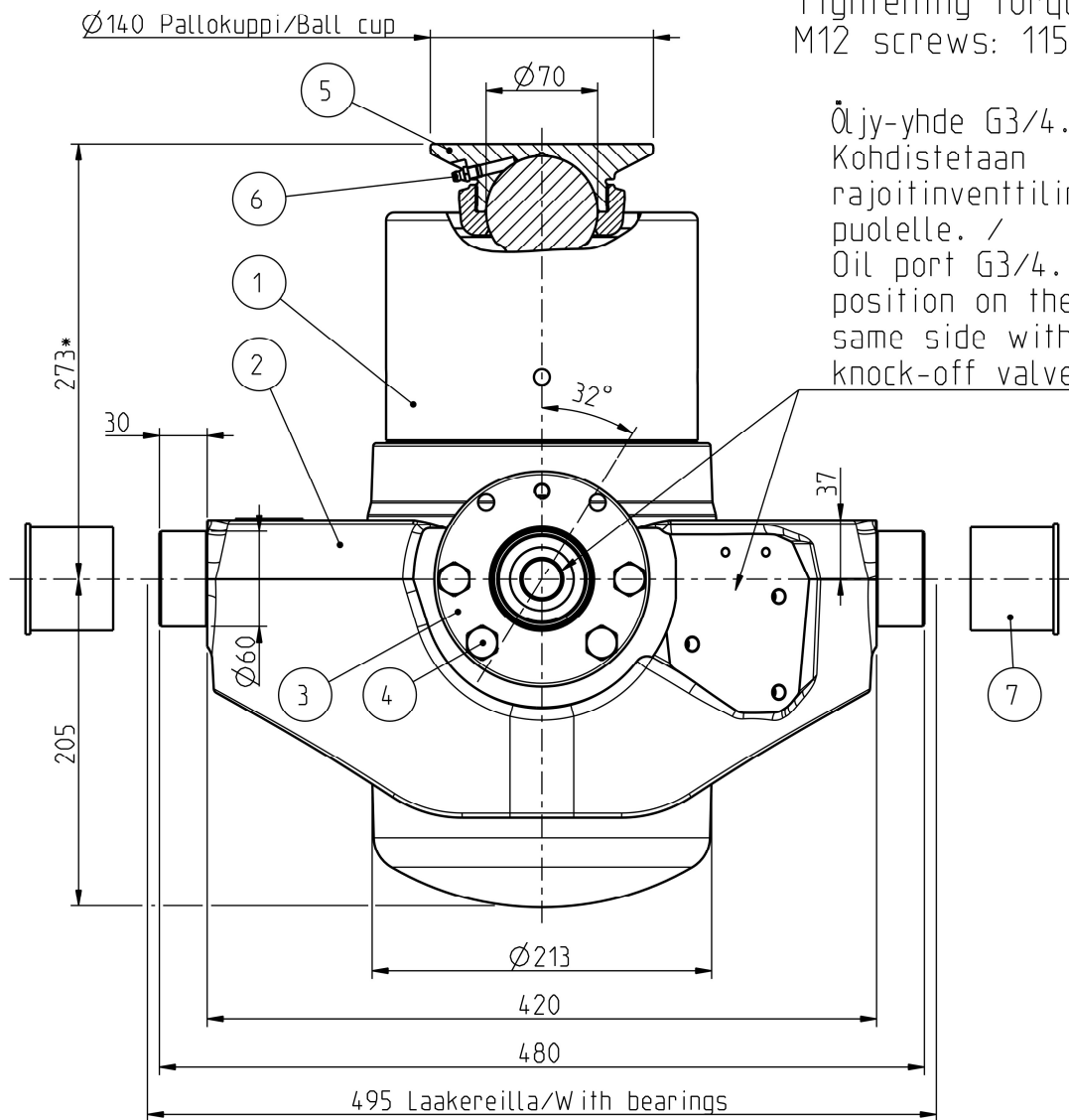


M12 -ruuvien kiristymomentti: /
Tightening torque of the
M12 screws: 115 Nm.

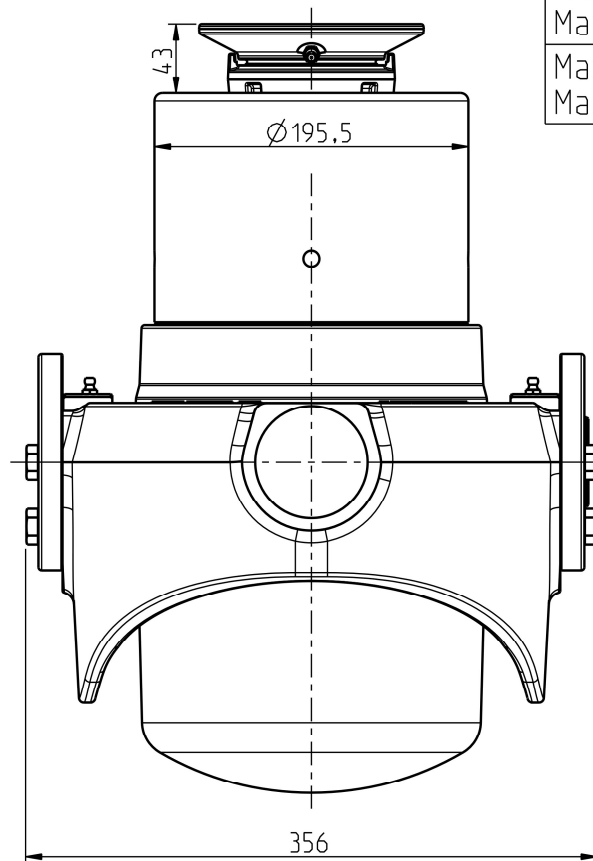
Öljy-yhde G3/4.
Kohdistetaan rajoitinventtilin puolelle. /
Oil port G3/4.
position on the same side with knock-off valve.



* +Asennusvara / Mounting space min 15 mm.

POS.	QTY	PRODUCT CODE	NAME	NOTE
7	2	CWT045129122	PROTECTION CAP 60	-
6	1	350501510	GREASE NIPPLE M8x1.25	-
5	1	320206586	BALL CUP 70	-
4	8	350510431	HEX SCREW M12x40 -10.9 DELTA	SCREW KIT: 350511339
3	2	320210049	BEARING CRADLE SUT LL	-
2	1	320210050	CYLINDER CRADLE SUT 194-172 LL	-
1	1	310209392	TELC 172-8-2169 TT, SUT 27 HP	-

Iskutilavuus Stroke volume	24,2 dm ³
Max paine Max pressure	28 MPa 280 bar
Max kuorma Max load	250 kN 25 ton
Max syl. kulma Max cyl. angle	32°



Ø Vaihe Ø Stage	Isku/ Stroke mm
172	295
152	298
132	300
115	286
100	238
85	254
70	248
55	250
Yht/Total	2169

Date	Drawn	Revision		
		Piirt Drawn	VVa	GENERAL TOLERANCE: ISO 2768-m
		Pvm Date	31.05.24	THREAD TOLERANCE: ISO 965-3/ISO 228-1
		Koko Size	A3	WELD ACCORDING TO: ISO 5817
Liittyy / Belongs to			Material	
SUT 27 LL			-	
Nimitys			Suhde/Scale	Revision
NY SUT 27 LL 172-8-2169 LN			3:10	-
Name			Piirustus no / Drawing no	
LU SUT 27 LL 172-8-2169 LN			310210651	

