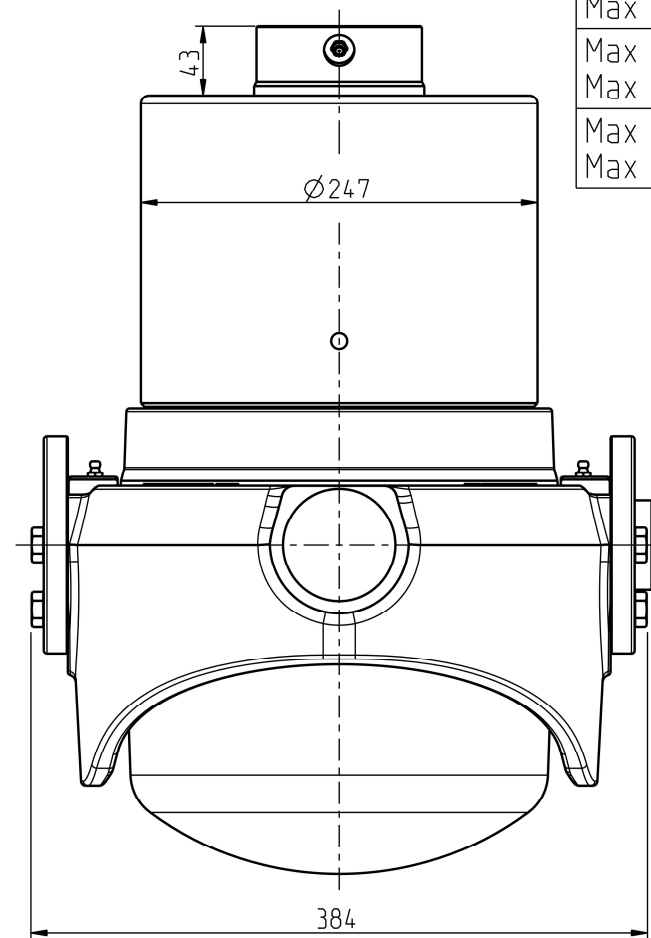


* +Asennusvara / Mounting space min 15 mm.



Iskutilavuus Stroke volume	48,9 dm ³
Max paine Max pressure	28 MPa 280 bar
Max kuorma Max load	320 kN 32 ton
Max syl. kulma Max cyl. angle	32°

Ø Vaihe Ø Stage	Isku/ Stroke mm
218	330
194	336
172	345
152	348
132	350
115	336
100	288
85	306
Yht/Total	2639

POS.	QTY	PRODUCT CODE	NAME	NOTE
6	2	CWT045129122	PROTECTION CAP 60	-
5	1	320209515	BALL CUP 70 SUT, SDC M8x1 106	-
4	8	350510431	HEX SCREW M12x40 -10.9 DELTA	SCREW KIT: 350511339
3	2	320210049	BEARING CRADLE SUT LL	-
2	1	320210047	CYLINDER CRADLE SUT 218 LL	-
1	1	310209454	TELC 218-8-2639 SUT 32 HP	-

Date	Drawn	Revision		
		Piirt Drawn	VVa	GENERAL TOLERANCE: ISO 2768-m
		Pvm Date	20.05.24	THREAD TOLERANCE: ISO 965-3/ISO 228-1
		Koko Size	A3	WELD ACCORDING TO: ISO 5817
		Liittyy / Belongs to		Aihio Preform
		SUT 32 LL		-
		Nimitys		Paino (kg) Weight
		NY SUT 32 LL 218-8-2639		183.764
		Name		Mat STD
		LU SUT 32 LL 218-8-2639		-
				Material
				-
				Suhde/Scale
				Revision
				3:10
				-
				Piirustus no / Drawing no
				310210616

