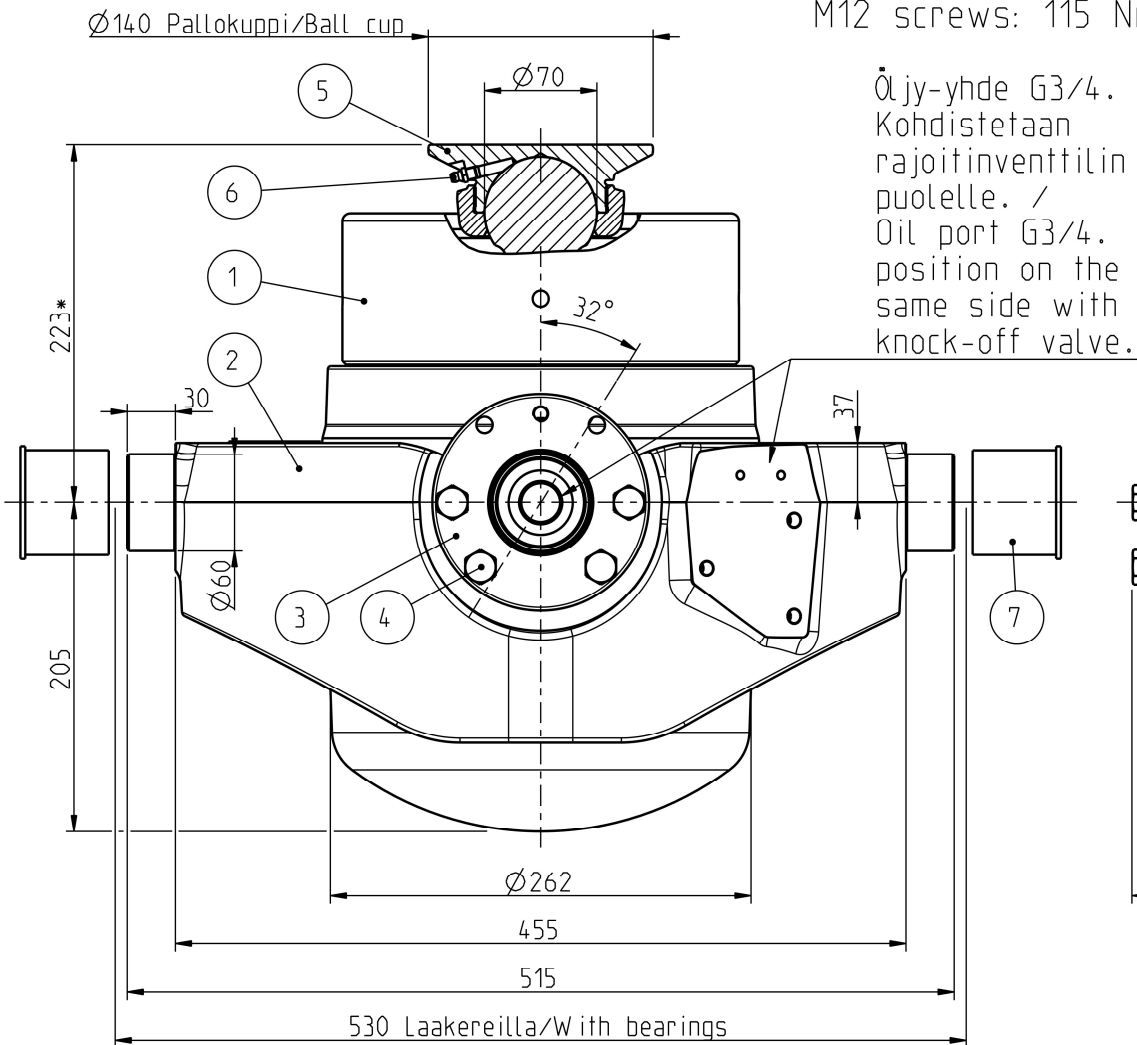
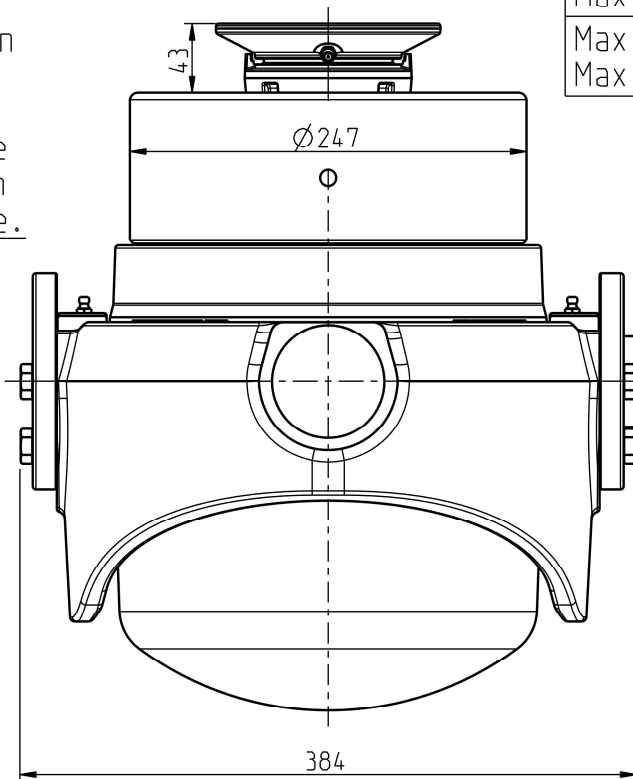


M12 -ruuvien kiristymomentti: /  
Tightening torque of the  
M12 screws: 115 Nm.

|                                  |                      |
|----------------------------------|----------------------|
| Iskutilavuus<br>Stroke volume    | 35,0 dm <sup>3</sup> |
| Max paine<br>Max pressure        | 28 MPa<br>280 bar    |
| Max kuorma<br>Max load           | 320 kN<br>32 ton     |
| Max syl. kulma<br>Max cyl. angle | 32°                  |



Öljy-yhde G3/4.  
Kohdistetaan  
rajoitinventtilin  
puolelle. /  
Oil port G3/4.  
position on the  
same side with  
knock-off valve.



| Ø Vaihe<br>Ø Stage | Isku/<br>Stroke mm |
|--------------------|--------------------|
| 218                | 230                |
| 194                | 236                |
| 172                | 245                |
| 152                | 248                |
| 132                | 250                |
| 115                | 236                |
| 100                | 188                |
| 85                 | 204                |
| 70                 | 200                |
| Yht/Total          | 2037               |

\* +Asennusvara / Mounting space min 15 mm.

| POS. | QTY | PRODUCT CODE | NAME                          | NOTE                 |
|------|-----|--------------|-------------------------------|----------------------|
| 7    | 2   | CWT045129122 | PROTECTION CAP 60             | -                    |
| 6    | 1   | 350501510    | GREASE NIPPLE M8x1.25         | -                    |
| 5    | 1   | 320206586    | BALL CUP 70                   | -                    |
| 4    | 8   | 350510431    | HEX SCREW M12x40 -10.9 DELTA  | SCREW KIT: 350511339 |
| 3    | 2   | 320210049    | BEARING CRADLE SUT LL         | -                    |
| 2    | 1   | 320210047    | CYLINDER CRADLE SUT 218 LL    | -                    |
| 1    | 1   | 310209425    | TELC 218-9-2037 TT, SUT 22 HP | -                    |

| Date | Drawn | Revision       |                            |                                       |
|------|-------|----------------|----------------------------|---------------------------------------|
|      |       | Piirt<br>Drawn | VVa                        | GENERAL TOLERANCE: ISO 2768-m         |
|      |       | Pvm<br>Date    | 09.05.24                   | THREAD TOLERANCE: ISO 965-3/ISO 228-1 |
|      |       | Koko<br>Size   | A3                         | WELD ACCORDING TO: ISO 5817           |
|      |       |                | Liittyy / Belongs to       | Material                              |
|      |       |                | SUT 22                     | -                                     |
|      |       |                | Nimitys                    | Suhde/Scale                           |
|      |       |                | NY SUT 27 LL 218-9-2037 LN | 3:10                                  |
|      |       |                | Name                       | Revision                              |
|      |       |                | LU SUT 27 LL 218-9-2037 LN | -                                     |
|      |       |                | Piirustus no / Drawing no  |                                       |
|      |       |                |                            | 310210609                             |

