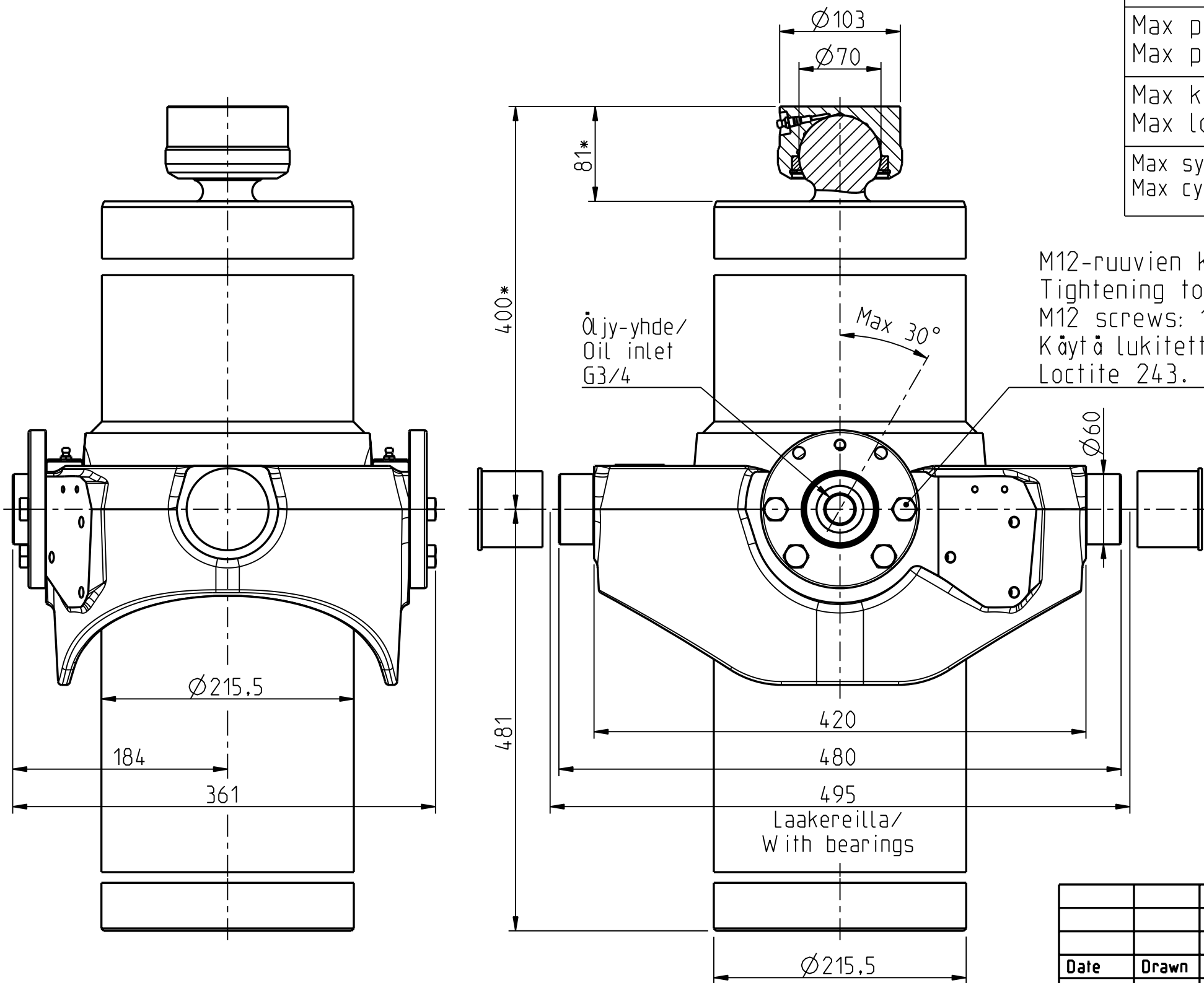
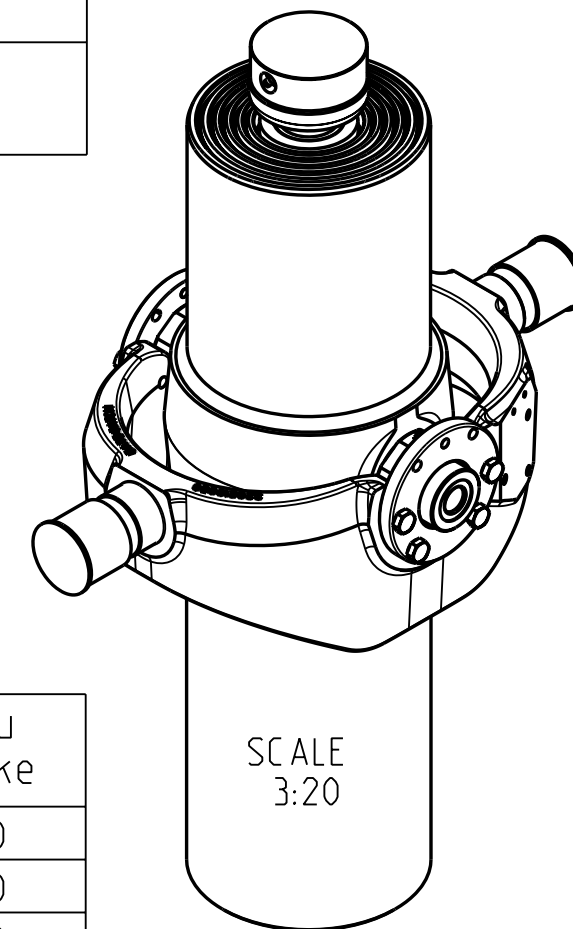


← VEHICLE FRONT



| | |
|---|----------------------|
| Iskutilavuus Stroke volume | 61,4 dm ³ |
| Max paine Max pressure | 28 MPa 280 bar |
| Max kuorma Max load | 300 kN 30 ton |
| Max syl kallistuskulma Max cyl tilting angle | 30° |

M12-ruuvien kiristysmomentti /
Tightening torque of the
M12 screws: 115 Nm.
Käytä lukitetta / Secure with:
Loctite 243.



| \varnothing vaihe \varnothing stage | Isku Stroke |
|--|----------------|
| 191 | 630 |
| 169 | 630 |
| 149 | 630 |
| 129 | 630 |
| 110 | 630 |
| 91 | 611 |
| Total | 3761 |

Öljy-yhde samalle puolelle kehdon rajoittimen kierteiden kanssa/
Oil inlet to the same side with cradle's knock-off threads.

* + Asennusvara/Mounting space min 15 mm.

| Date | Drawn | Revision | | |
|------|-------|----------------------|----------------------------|---------------------------------------|
| | | Piirt Drawn | TDa | GENERAL TOLERANCE :ISO 2768-m |
| | | Pvm Date | 20.07.23 | THREAD TOLERANCE :ISO 965-3/ISO 228-1 |
| | | Koko Size | A3 | WELD ACCORDING TO:ISO 5817 |
| | | Liittyy / Belongs to | | Material |
| | | SDC 63 | | - |
| | | Nimitys | NY SDC63 191-6-3761 TB-400 | Suhde/Scale |
| | | Name | LU SDC63 191-6-3761 TB-400 | Revision |
| | | | | 1:4 |
| | | | | - |
| | | | | Piirustus no / Drawing no |
| | | | | 310209728 |