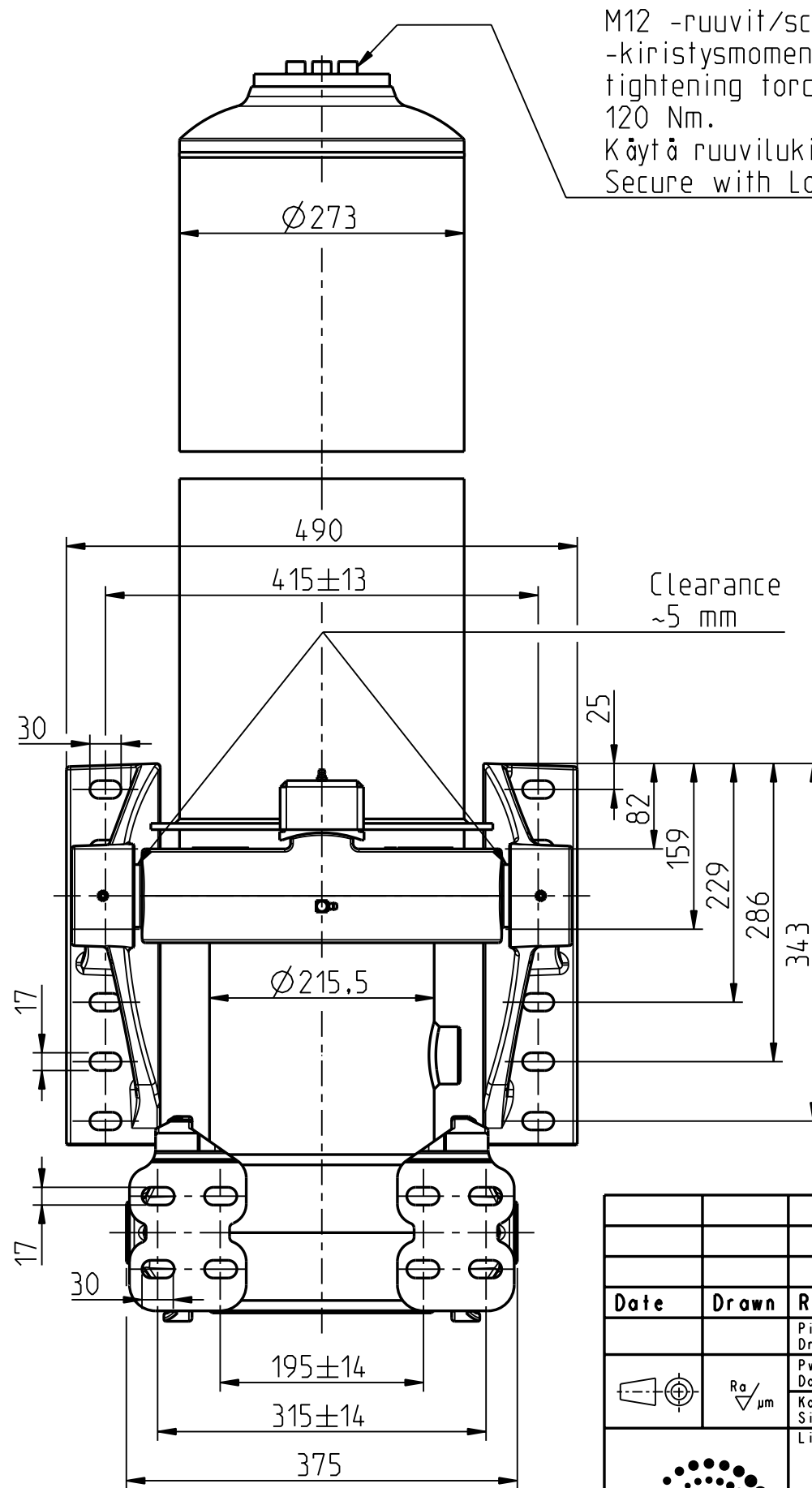
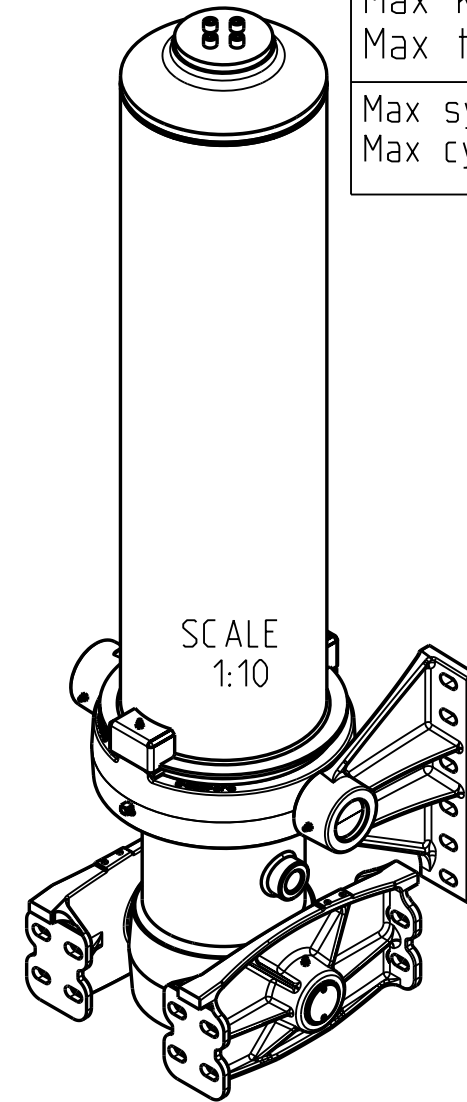


* Min 20 mm pull out needs to be added!



M12 -ruuvit/screws:
-kiristysmomentti/
tightening torque
120 Nm.
Käytä ruuvilukitetta/
Secure with Loctite.



| | |
|---|-----------------------|
| Iskutilavuus Stroke volume | 116,7 dm ³ |
| Max paine Max pressure | 19 MPa 190 bar |
| Max sylinterikuorma Max cylinder thrust | 250 kN 25 ton |
| Max kippauskuorma Max tipping load | 500 kN 50 ton |
| Max syl kallistuskulma Max cyl tilting angle | 32° |

| Ø vaihe Ø stage | Isku Stroke |
|--------------------|----------------|
| 191 | 1187 |
| 169 | 1197 |
| 149 | 1199 |
| 129 | 1201 |
| 110 | 1202 |
| 91 | 1202 |
| Total | 7188 |

| | | | | | | | |
|------|-------|----------------|--------------------------------|--|--------------------------|--|--|
| Date | Drawn | Revision | GENERAL TOLERANCE : ISO 2768-m | | Aihio Preform | - | |
| | | Piirt Drawn | TDa | THREAD TOLERANCE : ISO 965-3/ISO 228-1 | Paino (kg) Weight | 413.745 | |
| | | Pvm Date | 03.10.22 | WELD ACCORDING TO: ISO 5817 | Mat STD | - | |
| | | Koko Size | A3 | Liittyy / Belongs to | Material | - | |
| | | DFC-EFC | | | Suhde/Scale | Revision | |
| | | Nimitys | | | NY DFC 191-6-7188 120 D5 | 17:100 | |
| | | Name | | | LU DFC 191-6-7188 120 D5 | Piirustus no / Drawing no 310105942 | |