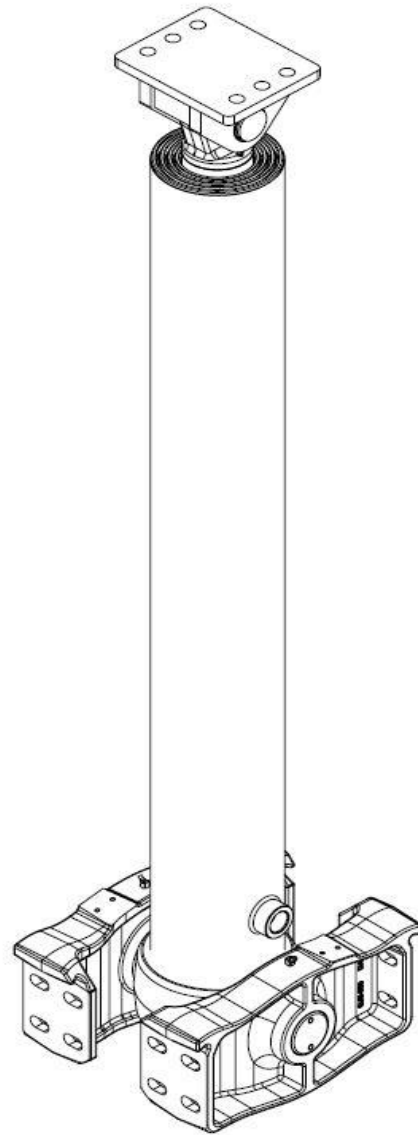


DFE



NUMMI ■

Nostoyksikön tuotenro

Lift unit code

310105418

310105388

310105360

Kuvaus / Description

NY/LU DFE 149-4-5724 D4

NY/LU DFE 169-5-6001 D4

NY/LU DFE 169-5-6851 D4

Putkisarja Tube serie

143

120

137

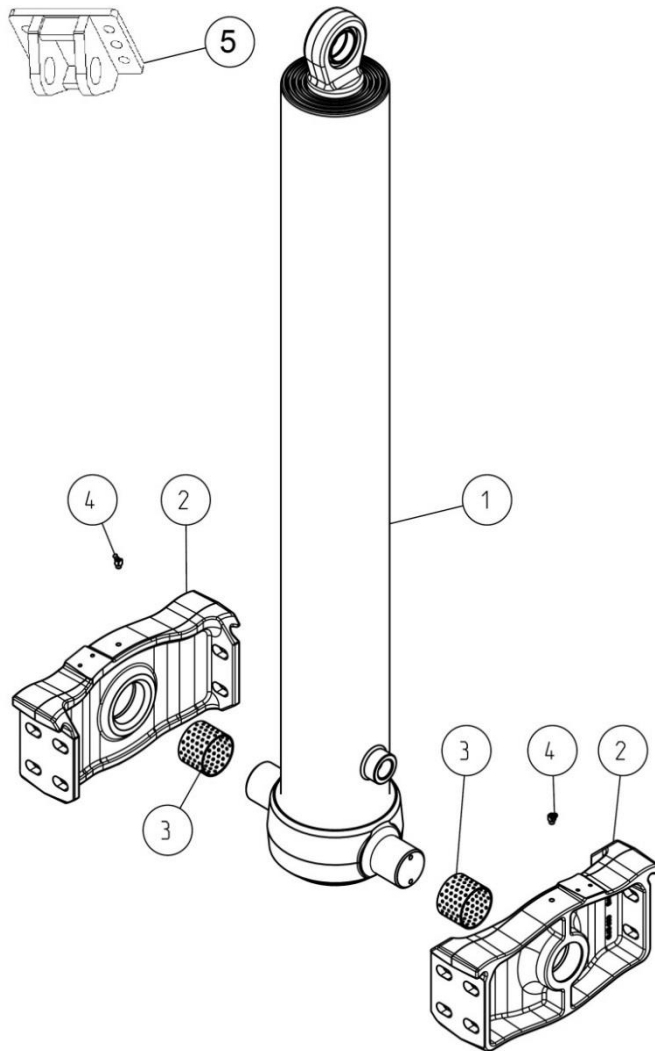
Sisäputki/inner

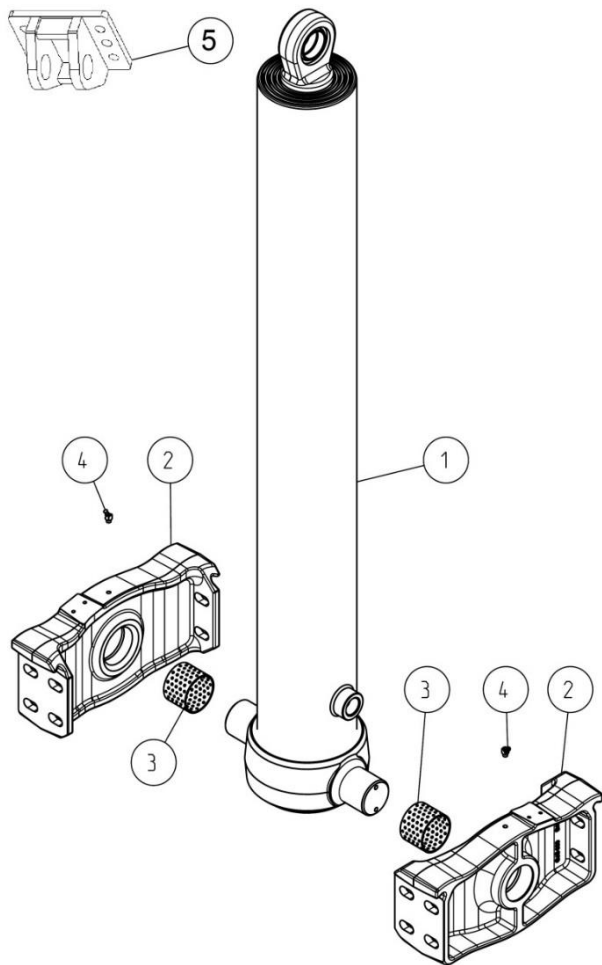
tube

91

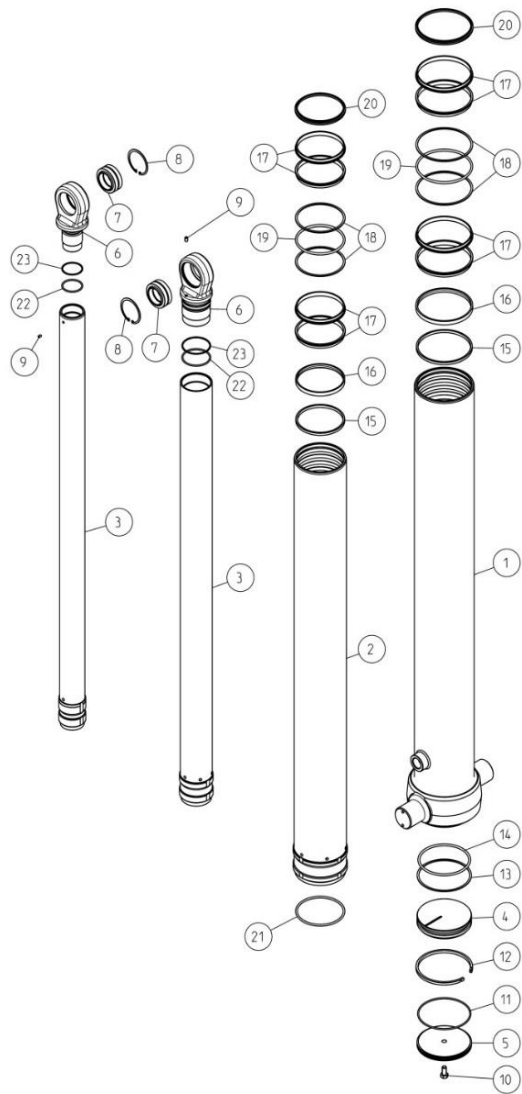
91

91

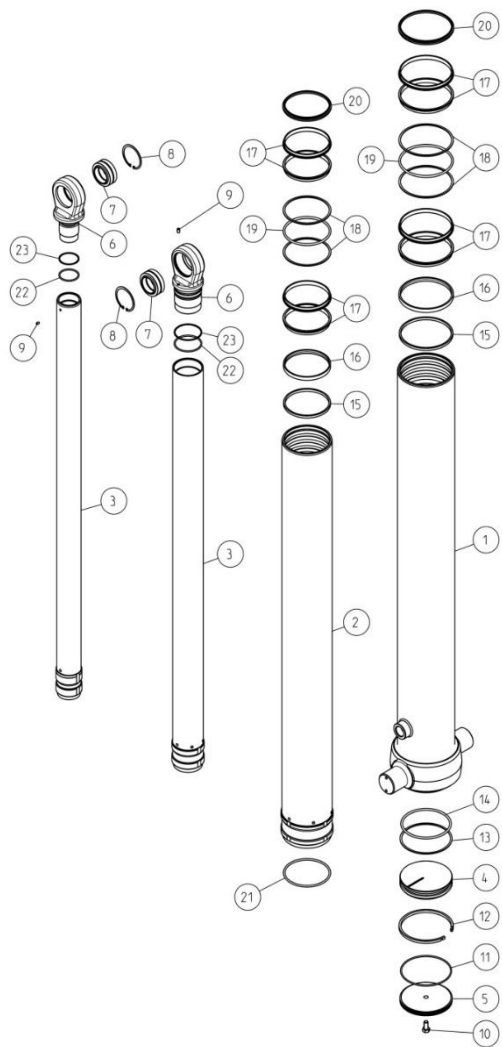




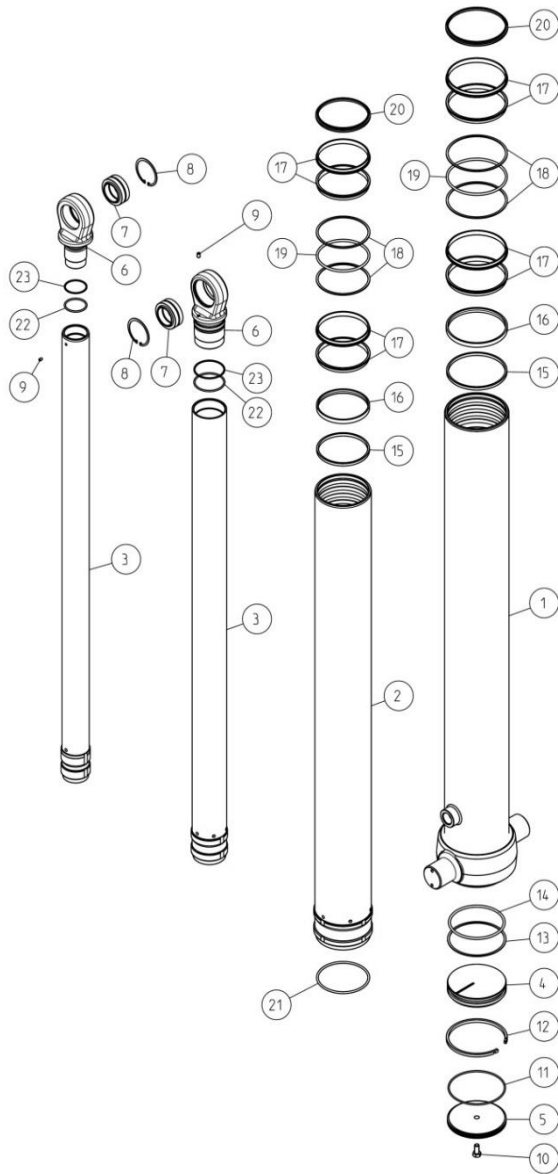
Numero Number	Tuotenro Code	Kpl Qty	Kuvaus	Description	Putkisarja Tube serie	Sisäputki/inne r tube
1	310105417	1	TELS DFE 149-4-5724 D4	TELS DFE 149-4-5724 D4	143	91
1	310105387	1	TELS DFE 169-5-6001 D4	TELS DFE 169-5-6001 D4	120	91
1	310105359	1	TELS DFE 169-5-6851 D4	TELS DFE 169-5-6851 D4	137	91
2	320217016	2	Laakeripalkki Ø65 laakerilla	Frame beam with Ø65 bearing		
3	350509643	2	Laakeriholkki Ø65	Bearing bushing Ø65		
4	350503698	2	Rasvanippa M8x1,25 kulma 45	Grease nipple M8x1,25 angle 45		
5	320207525	1	Lavakiinnikesarja DFE	Body bracket kit DFE		



Numero Number	Tuotenumero Code	Kpl Qty	Kuvaus	Description	Putkisarja Tube serie	Malli/Model
1	330105420	1	UP 171 DFE120 D4	Outer tube 171 DFE120 D4	120	DFE 149
1	330105422	1	UP 171 DFE130 D4	Outer tube 171 DFE130 D4	130	DFE 149
1	330105423	1	UP 171 DFE137 D4	Outer tube 171 DFE137 D4	137	DFE 149
1	330105424	1	UP 171 DFE143 D4	Outer tube 171 DFE143 D4	143	DFE 149
1	330105157	1	UP 171 DFE163 D4	Outer tube 171 DFE163 D4	163	DFE 149
1	330105365	1	UP 193 DFE120 D4	Outer tube 193 DFE120 D4	120	DFE 169
1	330105366	1	UP 193 DFE130 D4	Outer tube 193 DFE130 D4	130	DFE 169
1	330105367	1	UP 193 DFE137 D4	Outer tube 193 DFE137 D4	137	DFE 169
1	330105368	1	UP 193 DFE143 D4	Outer tube 193 DFE143 D4	143	DFE 169
1	330105369	1	UP 193 DFE153 D4	Outer tube 193 DFE153 D4	153	DFE 169
1	330105377	1	UP 193 DFE163 D4	Outer tube 193 DFE163 D4	163	DFE 169
1	330105438	1	UP 216 DFE120 D4	Outer tube 216 DFE120 D4	120	DFE 191
1	330105434	1	UP 216 DFE130 D4	Outer tube 216 DFE130 D4	130	DFE 191
1	330105439	1	UP 216 DFE137 D4	Outer tube 216 DFE137 D4	137	DFE 191
1	330105440	1	UP 216 DFE 143 D4	Outer tube 216 DFE143 D4	143	DFE 191
2	330105240	1	VP 91 DF120 D4	Cylinder tube 91 DF120 D4	120	
2	330105241	1	VP 110 DF120 D4	Cylinder tube 110 DF120 D4	120	
2	330105242	1	VP 129 DF120 D4	Cylinder tube 129 DF120 D4	120	
2	330105243	1	VP 149 DF120 D4	Cylinder tube 149 DF120 D4	120	
2	330105244	1	VP 169 DF120 D4	Cylinder tube 169 DF120 D4	120	
2	330105245	1	VP 191 DF120 D4	Cylinder tube 191 DF120 D4	120	
2	330105246	1	VP 214 DF 120 D4	Cylinder tube 214 DF 120 D4	120	
2	330105170	1	VP 91 DF130 D4	Cylinder tube 91 DF130 D4	130	
2	330105171	1	VP 110 DF130 D4	Cylinder tube 110 DF130 D4	130	
2	330105172	1	VP 129 DF130 D4	Cylinder tube 129 DF130 D4	130	
2	330105173	1	VP 149 DF130 D4	Cylinder tube 149 DF130 D4	130	
2	330105174	1	VP 169 DF130 D4	Cylinder tube 169 DF130 D4	130	
2	330105175	1	VP 191 DF130 D4	Cylinder tube 191 DF130 D4	130	
2	330105180	1	VP 91 DF137 D4	Cylinder tube 91 DF137 D4	137	
2	330105181	1	VP 110 DF137 D4	Cylinder tube 110 DF137 D4	137	
2	330105182	1	VP 129 DF137 D4	Cylinder tube 129 DF137 D4	137	
2	330105183	1	VP 149 DF137 D4	Cylinder tube 149 DF137 D4	137	
2	330105184	1	VP 169 DF137 D4	Cylinder tube 169 DF137 D4	137	
2	330105185	1	VP 191 DF137 D4	Cylinder tube 191 DF137 D4	137	
2	330105190	1	VP 91 DF143 D4	Cylinder tube 91 DF143 D4	143	
2	330105191	1	VP 110 DF143 D4	Cylinder tube 110 DF143 D4	143	
2	330105192	1	VP 129 DF143 D4	Cylinder tube 129 DF143 D4	143	
2	330105193	1	VP 149 DF143 D4	Cylinder tube 149 DF143 D4	143	
2	330105194	1	VP 169 DF143 D4	Cylinder tube 169 DF143 D4	143	
2	330105195	1	VP 191 DF143 D4	Cylinder tube 191 DF143 D4	143	



Numero Number	Tuotenro Code	Kpl Qty	Kuvaus	Description	Putkisarja Tube serie
2	330105200	1	VP 91 DF163 D4	Cylinder tube 91 DF163 D4	163
2	330105201	1	VP 110 DF163 D4	Cylinder tube 110 DF163 D4	163
2	330105202	1	VP 129 DF163 D4	Cylinder tube 129 DF163 D4	163
2	330105203	1	VP 149 DF163 D4	Cylinder tube 149 DF163 D4	163
2	330105204	1	VP 169 DF163 D4	Cylinder tube 169 DF163 D4	163
2	330105205	1	VP 191 DF163 D4	Cylinder tube 191 DF163 D4	163
2	330105206	1	VP 214 DF 163 D4	Cylinder tube 214 DF 163 D4	163
3	330105380	1	SP 91 DF 120 D4	Inner tube 91 DF 120 D4	120
3	330105381	1	SP 91 DF 130 D4	Inner tube 91 DF 130 D4	130
3	330105382	1	SP 91 DF 137 D4	Inner tube 91 DF 137 D4	137
3	330105383	1	SP 91 DF 143 D4	Inner tube 91 DF 143 D4	143
3	330105384	1	SP 91 DF 163 D4	Inner tube 91 DF 163 D4	163



Numero Number	Tuotenumero Code	Kpl Qty	Kuvaus	Description	Huomiot	Notes
4	330104149	1	Pohjalaippa 151	Bottom flange 151	DF129	
4	330104830	1	Pohjalaippa 171	Bottom flange 171	DF149	
4	330104831	1	Pohjalaippa 193	Bottom flange 193	DF169	
4	330104832	1	Pohjalaippa 216	Bottom flange 216	DF191	
5	330104670	1	Lukkolaippa 151	Locking flange 151	DF129	
5	330104671	1	Lukkolaippa 171	Locking flange 171	DF149	
5	330104672	1	Lukkolaippa 193	Locking flange 193	DF169	
5	330104673	1	Lukkolaippa 216	Locking flange 216	DF191	
6	330104847	1	Silmukka sisäputkelle 72	Top eye for inner tube 72		
6	330104848	1	Silmukka sisäputkelle 91	Top eye for inner tube 91		
6	330104849	1	Silmukka sisäputkelle 110	Top eye for inner tube 110		
7	9535136	1	Pallonivellaakeri GE50	Ball bearing GE50	DFE129-191	
8	350850005	1	Lukkorengas	Locking ring	DFE129-191	
9	350640012	1	Pidätinruuvi M8x12 10.9	Crub screw M8x12 10.9		
10	350600005	1	Kuusioruuvi M12x25	Screw M12x25		
11		1	O-renkas halk. 3,53	O-ring diameter 3,53	Tiivistesrj / Sealing kit	
12	340104801	1	Pysäytinrenkas 151	Stopping ring 151	DF129	
12	340104802	1	Pysäytinrenkas 171	Stopping ring 171	DF149	
12	340104803	1	Pysäytinrenkas 193	Stopping ring 193	DF169	
12	340104804	1	Pysäytinrenkas 216	Stopping ring 216	DF191	
13		1	Tukirengas	Support ring	Tiivistesrj / Sealing kit	
14		1	O-renkas halk. 5,7	O-ring diameter 5,7	Tiivistesrj / Sealing kit	
15	340104131	1	Pysäytinrenkas 72 N	Stopping ring 72 S	P=pyöreä, N=Neliö	
15	340104132	1	Pysäytinrenkas 91 N	Stopping ring 91 S	R=round, S=square	
15	340104133	1	Pysäytinrenkas 110 N	Stopping ring 110 S		
15	340104134	1	Pysäytinrenkas 129 N	Stopping ring 129 S		
15	340104135	1	Pysäytinrenkas 149 N	Stopping ring 149 S		
15	340104136	1	Pysäytinrenkas 169 N	Stopping ring 169 S		
15	340104137	1	Pysäytinrenkas 191 N	Stopping ring 191 S		
16		1	Painetiiviste 72 - 191	Pressure seal 72 - 191	Tiivistesrj / Sealing kit	
17		4	Ohjausrenkas 72 - 191	Guiding ring 72 - 191	Tiivistesrj / Sealing kit	
18		2	Tukirengas 72 - 191	Support ring 72 - 191	Tiivistesrj / Sealing kit	
19		1	O-renkas 72 - 191	O-ring 72 - 191	Tiivistesrj / Sealing kit	
20		1	Pölytiiviste 72 - 191	Wiper seal 72 - 191	Tiivistesrj / Sealing kit	
21	049072082	1	Pysäytinrenkas 72 P	Stopping ring 72 R	P=pyöreä, N=Neliö	
21	049091083	1	Pysäytinrenkas 91 P	Stopping ring 91 R	R=round, S=square	
21	049110084	1	Pysäytinrenkas 110 P	Stopping ring 110 R		
21	049129085	1	Pysäytinrenkas 129 P	Stopping ring 129 R		
21	049149086	1	Pysäytinrenkas 149 P	Stopping ring 149 R		
21	049169087	1	Pysäytinrenkas 169 P	Stopping ring 169 R		
22		1	O-renkas	O-ring	Tiivistesrj / Sealing kit	
23		1	O-renkas	O-ring	Tiivistesrj / Sealing kit	

Sarjan tuotenumero product code	Kit	Kuvaus	Description	Huomiot	Notes
340105491		Tiivistesarja / Sealing kit 169-6 (193/72)	EF-DF COMP		
340105492		Tiivistesarja / Sealing kit 191-6 (216/72)	EF-DF COMP		
340105493		Ohjainrengassarja / Guide ring kit 191-7 (216/72)	EF-DF D4		