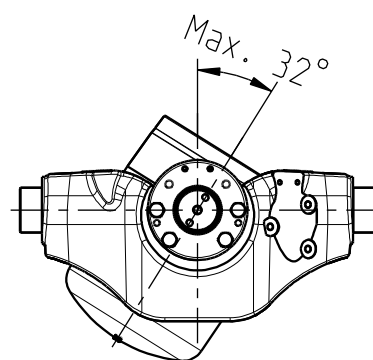
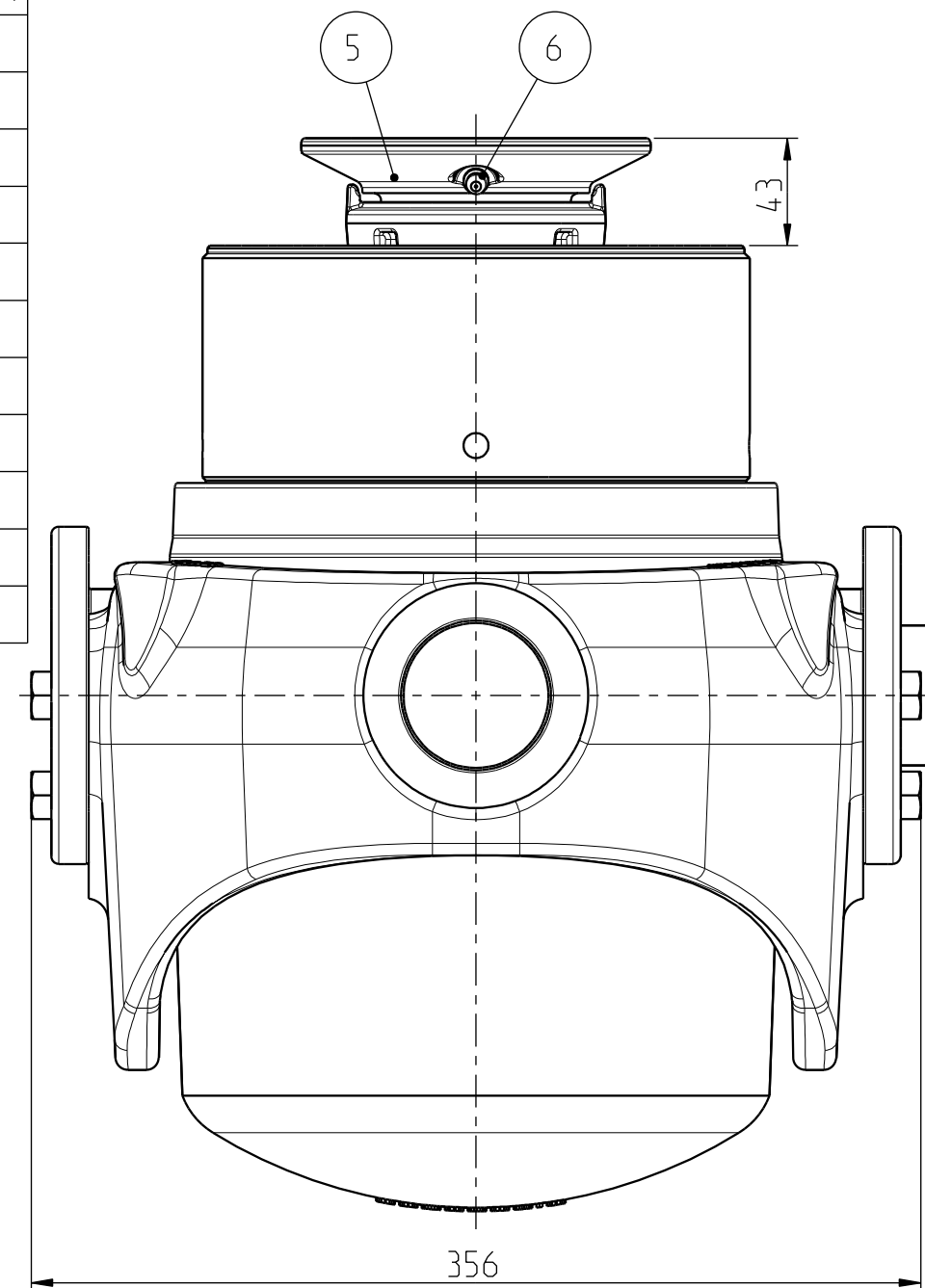


| Vaihe/Stage | Isku/Stroke (mm) |
|-------------|------------------|
| Ø194        | 236              |
| Ø172        | 245              |
| Ø152        | 248              |
| Ø132        | 250              |
| Ø115        | 236              |
| Ø100        | 187              |
| Ø85         | 204              |
| Ø70         | 198              |
| Ø55         | 185              |
| Ø40         | 128              |
| Yht./Sum. = | 2117             |



Öljy-yhde / Oil inlet G3/4"

Öljy-yhde samalle puolelle rajoitin kierteiden kanssa /  
Oil inlet to the same side with knock-off threads.

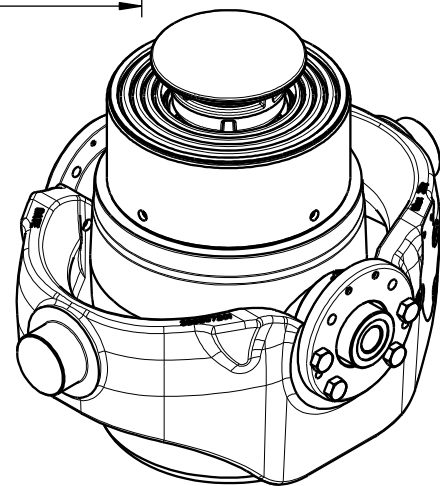
M12 ruuvien kiristysmomentti /  
Tightening torque of the M12 screws 115 Nm.

Max. Paine / Pressure 280 bar (28 MPa).

Max. Kuorma / Load 30 t.

Iskutilavuus / Stroke volume 27 dm<sup>3</sup>

\* + Asennusvara / Mounting space 15 mm.



|          |                      |                             |  |                              |
|----------|----------------------|-----------------------------|--|------------------------------|
| 27.11.18 | VSS                  | a1) paine/pressure 280 bar. |  |                              |
| Date     | Drawn                | Revision                    |  |                              |
|          | Piirt<br>Drawn       | JMe                         | GENERAL TOLERANCE: ISO 2768-m          | Koodi<br>Code -              |
|          | Pvm<br>Date          | 09.09.09                    | THREAD TOLERANCE : ISO 965-3/ISO 228-1 | Paino (kg)<br>Weight 136.839 |
|          | Koko<br>Size         | A3                          | WELD ACCORDING TO: ISO 5817            | Material STD -               |
|          | Liittyy / Belongs to |                             |  | Material                     |
|          | SUT22 HP LN          |                             |  | -                            |
|          | Nimitys              | NY SUT22 194-10-2117        | Suhde/Scale                            | Revision                     |
|          | Name                 | LU SUT22 194-10-2117        | 7:20                                   | A                            |
|          |                      |                             | Piirustus no / Drawing no              |                              |
|          |                      |                             | 310227261                              |                              |