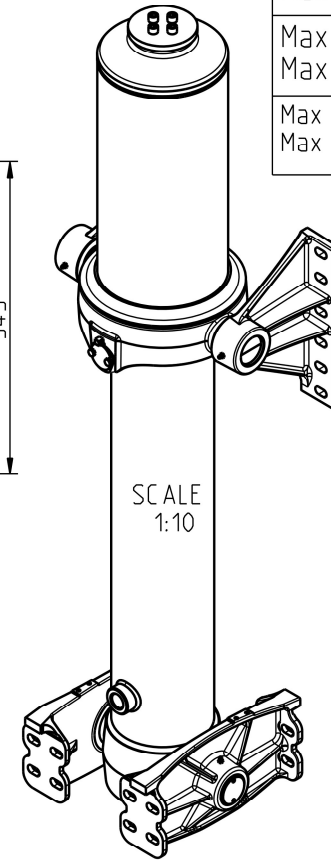
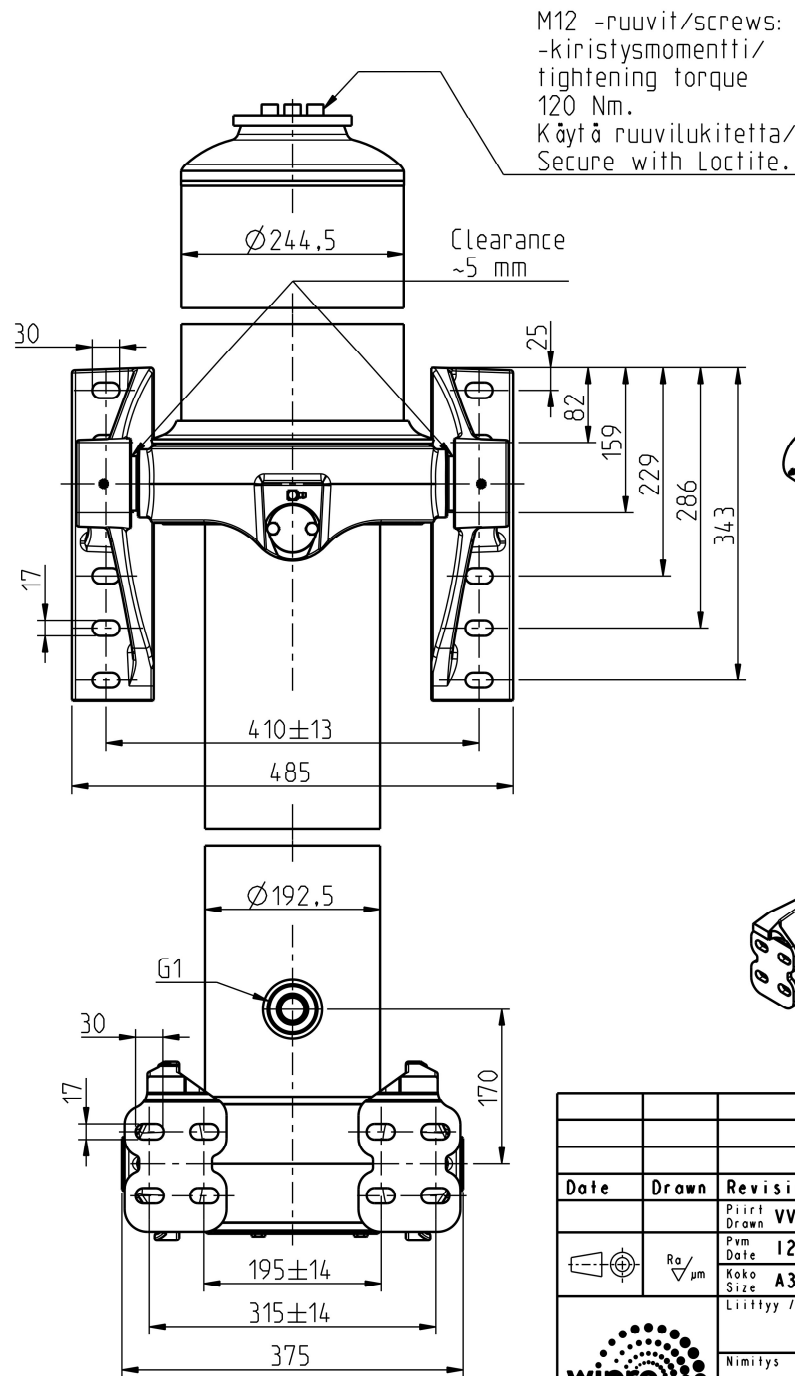


* Min 20 mm pull out needs to be added!



Iskutilavuus Stroke volume	94,4 dm ³
Max paine Max pressure	19 MPa 190 bar
Max sylinterikuorma Max cylinder thrust	250 kN 25 ton
Max kippauskuorma Max tipping load	500 kN 50 ton
Max syl kallistuskulma Max cyl tilting angle	32°

Ø vaihe Ø stage	Isku Stroke
169	1367
149	1369
129	1371
110	1372
91	1372
Total	6851

Date	Drawn	Revision		
		Piirt Drawn	VVa	GENERAL TOLERANCE : ISO 2768-m
		Pvm Date	12.09.22	THREAD TOLERANCE : ISO 965-3/ISO 228-1
		Koko Size	A3	WELD ACCORDING TO: ISO 5817
Liittyy / Belongs to				Material
DFC-EFC				-
Nimitys NY DFC 169-5-685I D5 I37 TB-1030 F			Suhde/Scale	Revision
Name LU DFC 169-5-685I D5 I37 TB-1030 F			17:100	-
				Piirustus no / Drawing no
				310115860