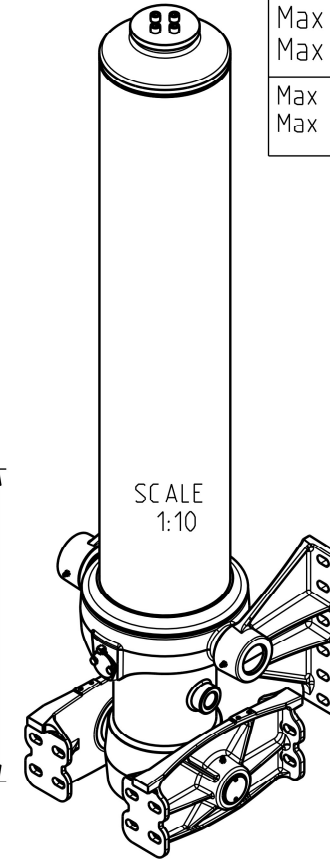


M12 -ruuvit/screws:
 -kiristysmomentti/
 tightening torque
 120 Nm.
 Käytä ruuvilukitetta/
 Secure with Loctite.



| | |
|---|----------------------|
| Iskutilavuus Stroke volume | 94,4 dm ³ |
| Max paine Max pressure | 19 MPa 190 bar |
| Max sylinterikuorma Max cylinder thrust | 250 kN 25 ton |
| Max kippauskuorma Max tipping load | 500 kN 50 ton |
| Max syl kallistuskulma Max cyl tilting angle | 32° |

| Ø vaihe Ø stage | Isku Stroke |
|--------------------|----------------|
| 169 | 1367 |
| 149 | 1369 |
| 129 | 1371 |
| 110 | 1372 |
| 91 | 1372 |
| Total | 6851 |

| Date | Drawn | Revision | | |
|----------------------|-------|----------------|--------------------------|--|
| | | Piirt Drawn | VVa | GENERAL TOLERANCE : ISO 2768-m |
| | | Pvm Date | 12.09.22 | THREAD TOLERANCE : ISO 965-3/ISO 228-1 |
| | | Koko Size | A3 | WELD ACCORDING TO: ISO 5817 |
| Liittyy / Belongs to | | | DFC-EFC | |
| Nimitys | | | NY DFC 169-5-6851 D5 137 | Suhde/Scale |
| Name | | | LU DFC 169-5-6851 D5 137 | Revision |
| | | | | 17:100 |
| | | | | - |
| | | | | Piirustus no / Drawing no |
| | | | | 310105854 |



* Min 20 mm pull out needs to be added!